

## Φ 16mm Aperture Split core current transformer



Front view

Opening view

Bottom view

### Characteristic

- Safety lock buckle, easy to install
- Built-in over-voltage protection device (TVS tube)
- Crimping terminal output
- Suspended type

### Product application

- Portable instrument
- Household metering
- Monitor motor load

### Product advantage

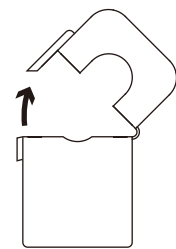
- Small volume, Light weight
- Low cost
- High turns, High precision

### Installation diagram

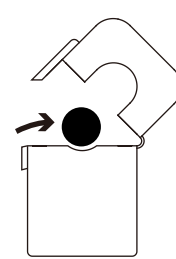
Primary threading method (Firing line)



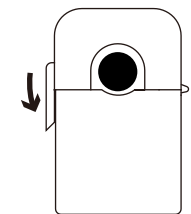
1. Open the buckle



2. Open upward



3. Put in lead wire



4. Fasten the buckle

**Typical technical index:**

- Material of core——Silicon steel sheet
- Working voltage——Phase voltage  $\leq 720V$
- Working temperature—— $-25^{\circ}C \sim +60^{\circ}C$
- Storage temperature—— $-30^{\circ}C \sim +90^{\circ}C$
- Frequency range—— $50Hz \sim 60Hz$
- Dielectric strength——Input (bare conductor) /output AC 800V/1min 5mA 50Hz  
Output/Outer shell AC 3.5KV/1min 5mA 50Hz

**Electrical parameters:** ( The following parameters are typical values and actual values will be subject to product testing )

Max. continuous input current: 120% of rated input

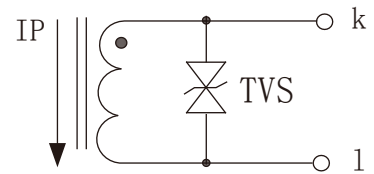
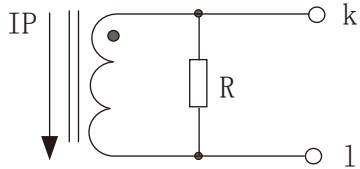
Model	Input current	Output	Turns ratio	Load resistance	Accuracy	Linearity	Weight
SCT016TS	50A	100mA	1: 500	5 $\Omega$	0.5%/1%	1%	85g
SCT016TS	100A	100mA	1: 1000	5 $\Omega$	0.5%/1%	1%	85g
SCT016TS	120A	40mA	1: 3000	10 $\Omega$	0.5%/1%	1%	85g
SCT016TS	150A	100mA	1: 1500	10 $\Omega$	0.5%/1%	1%	85g
SCT016TS	150A	50mA	1: 3000	10 $\Omega$	0.5%/1%	1%	85g
SCT016TS	160A	40mA	1: 4000	10 $\Omega$	0.5%/1%	1%	85g

Model	Input current	Output	Turns ratio	Power	Accuracy	Linearity	Weight
SCT016TS	50A	1A	1:50	0.1VA	1%	1%	85g
SCT016TS	80A	1A	1:80	0.1VA	1%	1%	85g
SCT016TS	100A	1A	1:100	0.1VA	1%	1%	85g

Model	Input current	Output	Turns ratio	Load resistance	Accuracy	Linearity	Weight
SCT016TS	50A	0.333V	-	built-in	0.5%/1%	1%	85g
SCT016TS	100A	0.333V	-	built-in	0.5%/1%	1%	85g
SCT016TS	150A	0.333V	-	built-in	0.5%/1%	1%	85g

**\*Can be customized parameters/lead length/lead specifications according to user requirements.**

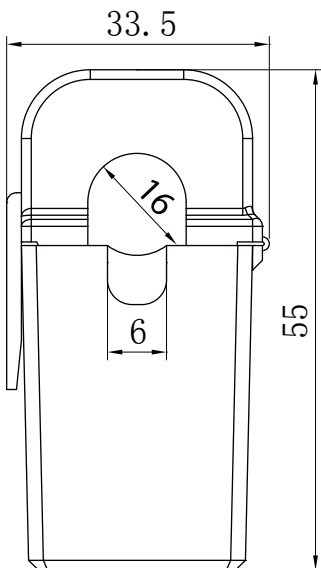
**Wiring schematic diagram:**



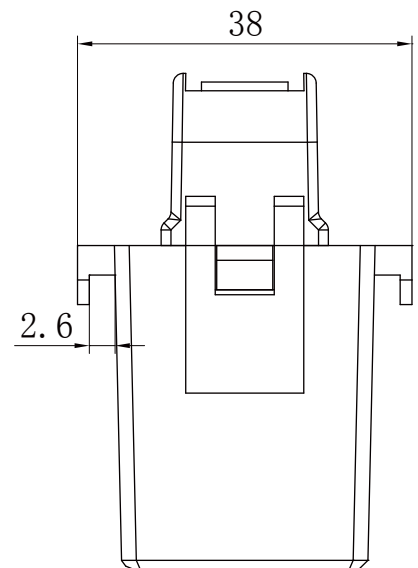
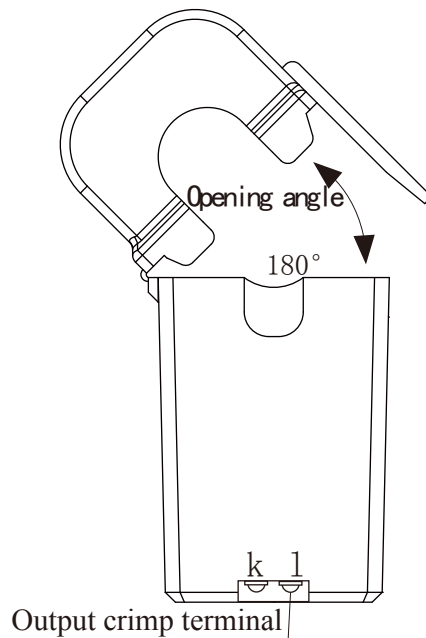
Built-in sampling resistance  
 Voltage output type  
 Secondary doesn't allow short circuit

TVS: Transient voltage suppressor  
 Current output type  
 Secondary doesn't allow open circuit

**Outline size: (in:mm):**



Front view



Side view