

Φ16mm Aperture Split core current transformer



Front view

Opening view

Bottom view

Characteristic

- Safety lock buckle, easy to install
- Built-in over-voltage protection device (TVS tube)
- Crimping terminal output
- Suspended type

Product application

- Portable instrument
- Household metering
- Monitor motor load

Product advantage

- Small volume, Light weight
- Low cost
- High turns, High precision

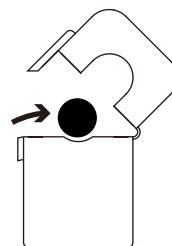
Installation diagram

Primary threading method (Firing line)

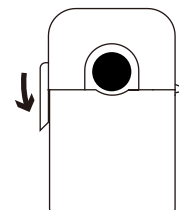


1. Open the buckle

2. Open upward



3. Put in lead wire



4. Fasten the buckle

Typical technical index:

- Material of core——Silicon steel sheet
- Working voltage——Phase voltage $\leq 660V$
- Working temperature—— $-25^{\circ}C \sim +60^{\circ}C$
- Storage temperature—— $-30^{\circ}C \sim +90^{\circ}C$
- Frequency range—— $50Hz \sim 60Hz$
- Dielectric strength——Input (bare conductor) /output AC 800V/1min 5mA 50Hz
Output/Outer shell AC 3.5KV/1min 5mA 50Hz

Electrical parameters: (The following parameters are typical values and actual values will be subject to product testing)

Max. Input 200A

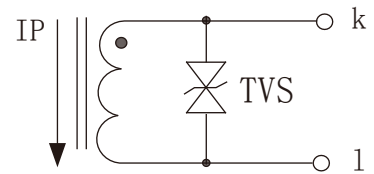
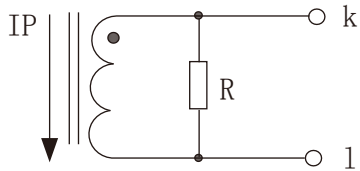
Model	Input current	Output	Turns ratio	Load resistance	Accuracy	Linearity	Weight
SCT016TS	50A	100mA	1: 500	5 Ω	1%	1%	85g
SCT016TS	100A	100mA	1: 1000	5 Ω	1%	1%	85g
SCT016TS	120A	40mA	1: 3000	10 Ω	1%	1%	85g
SCT016TS	150A	100mA	1: 1500	10 Ω	1%	1%	85g
SCT016TS	150A	50mA	1: 3000	10 Ω	1%	1%	85g
SCT016TS	160A	40mA	1: 4000	10 Ω	1%	1%	85g
SCT016TS	200A	100mA	1: 2000	10 Ω	1%	1%	85g
SCT016TS	200A	50mA	1: 4000	10 Ω	1%	1%	85g

Model	Input current	Output	Turns ratio	Power	Accuracy	Linearity	Weight
SCT016TS	50A	1A	1:50	0.1VA	1%	1%	85g
SCT016TS	80A	1A	1:80	0.1VA	1%	1%	85g
SCT016TS	100A	1A	1:100	0.1VA	1%	1%	85g

Model	Input current	Output	Turns ratio	Load resistance	Accuracy	Linearity	Weight
SCT016TS	50A	0.333V	-	built-in	1%	1%	85g
SCT016TS	100A	0.333V	-	built-in	1%	1%	85g
SCT016TS	150A	0.333V	-	built-in	1%	1%	85g

***Can be customized parameters/lead length/lead specifications according to user requirements.**

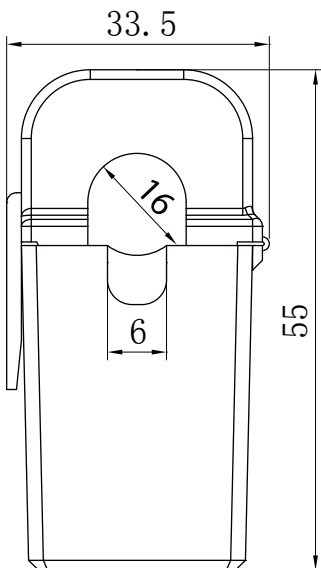
Wiring schematic diagram:



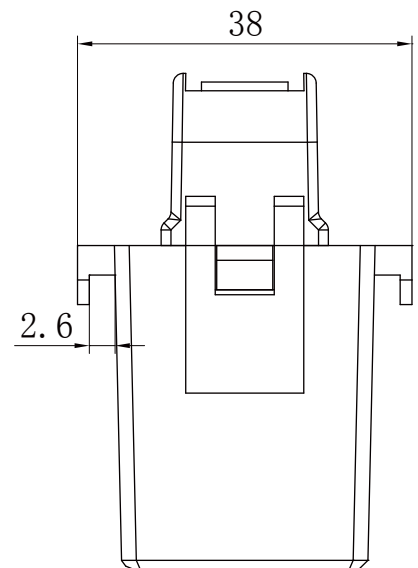
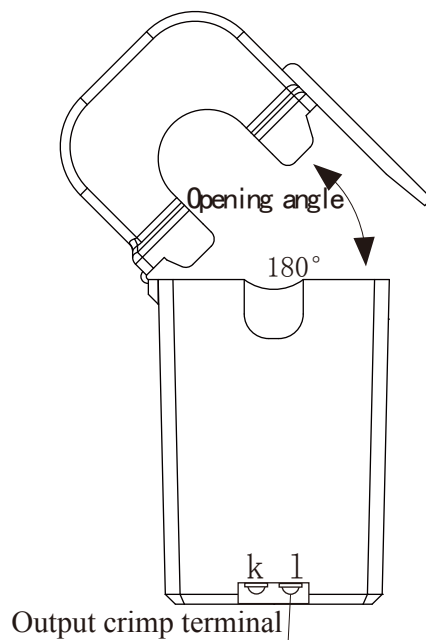
Built-in sampling resistance
 Voltage output type
 Secondary doesn't allow short circuit

TVS: Transient voltage suppressor
 Current output type
 Secondary doesn't allow open circuit

Outline size: (in:mm):



Front view



Side view