

Φ16mm Aperture Split core current transformer



Front view

Opening view

Bottom view

Characteristic

- Safety lock buckle, easy to install
- Built-in over-voltage protection device (TVS tube)
- Crimping terminal output
- Suspended type

Product application

- Portable instrument
- Household metering
- Monitor motor load

Product advantage

- Small volume, Light weight
- Low cost
- High turns, High precision

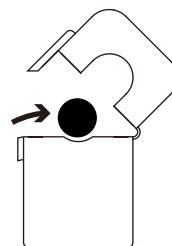
Installation diagram

Primary threading method (Firing line)

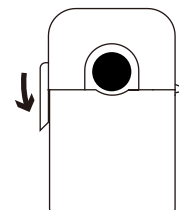


1. Open the buckle

2. Open upward



3. Put in lead wire



4. Fasten the buckle

Typical technical index:

- Material of core——Silicon steel sheet
- Working voltage——Phase voltage $\leq 720V$
- Working temperature—— $-25^{\circ}C \sim +60^{\circ}C$
- Storage temperature—— $-30^{\circ}C \sim +90^{\circ}C$
- Frequency range—— $50Hz \sim 60Hz$
- Dielectric strength——Input (bare conductor) /output AC 800V/1min 5mA 50Hz
Output/Outer shell AC 3.5KV/1min 5mA 50Hz

Electrical parameters: (The following parameters are typical values and actual values will be subject to product testing)

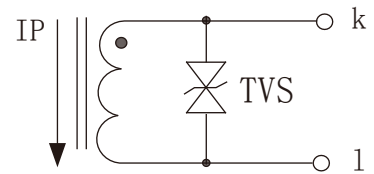
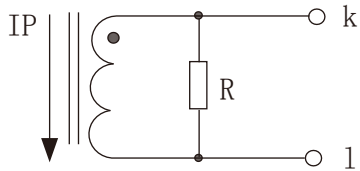
Model	Input current	Output	Turns ratio	Load resistance	Accuracy	Linearity	Weight
SCT016TS	50A	100mA	1: 500	5 Ω	0.5%/1%	1%	85g
SCT016TS	100A	100mA	1: 1000	5 Ω	0.5%/1%	1%	85g
SCT016TS	120A	40mA	1: 3000	10 Ω	0.5%/1%	1%	85g
SCT016TS	150A	100mA	1: 1500	10 Ω	0.5%/1%	1%	85g
SCT016TS	150A	50mA	1: 3000	10 Ω	0.5%/1%	1%	85g
SCT016TS	160A	40mA	1: 4000	10 Ω	0.5%/1%	1%	85g

Model	Input current	Output	Turns ratio	Power	Accuracy	Linearity	Weight
SCT016TS	50A	1A	1:50	0.1VA	1%	1%	85g
SCT016TS	80A	1A	1:80	0.1VA	1%	1%	85g
SCT016TS	100A	1A	1:100	0.1VA	1%	1%	85g

Model	Input current	Output	Turns ratio	Load resistance	Accuracy	Linearity	Weight
SCT016TS	50A	0.333V	-	built-in	0.5%/1%	1%	85g
SCT016TS	100A	0.333V	-	built-in	0.5%/1%	1%	85g
SCT016TS	150A	0.333V	-	built-in	0.5%/1%	1%	85g

***Can be customized parameters/lead length/lead specifications according to user requirements.**

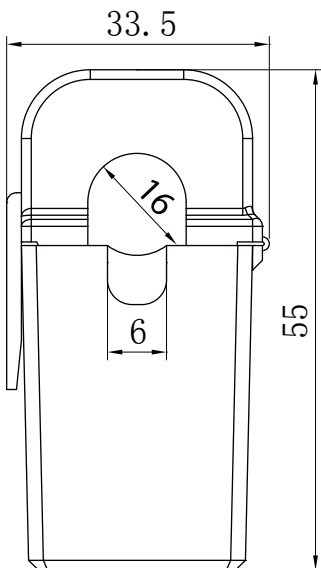
Wiring schematic diagram:



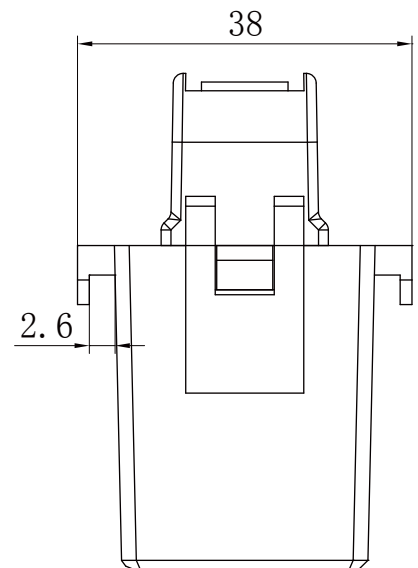
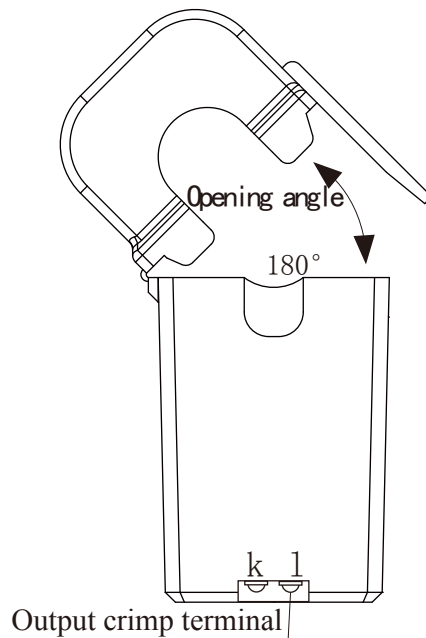
Built-in sampling resistance
 Voltage output type
 Secondary doesn't allow short circuit

TVS: Transient voltage suppressor
 Current output type
 Secondary doesn't allow open circuit

Outline size: (in:mm):



Front view



Side view