

Φ 10mm Aperture Split core current transformer



Front view

Opening view

Bottom view

Characteristic

- Safety lock buckle, easy to install
- Built-in over-voltage protection device (TVS tube)
- Crimping terminal output
- Suspended type

Product application

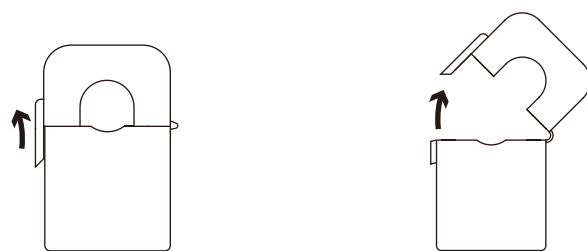
- Portable instrument
- Household metering
- Monitor motor load

Product advantage

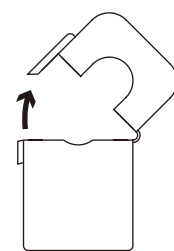
- Small volume, Light weight
- Low cost
- High turns, High precision

Installation diagram

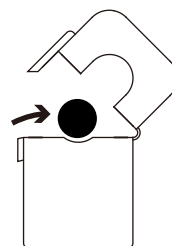
Primary threading method (Firing line)



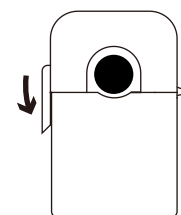
1. Open the buckle



2. Open upward



3. Put in lead wire



4. Fasten the buckle

Typical technical index:

- Material of core——Ferrite
- Working voltage——Phase voltage $\leq 720V$
- Working temperature—— $-25^{\circ}C \sim +60^{\circ}C$
- Storage temperature—— $-30^{\circ}C \sim +90^{\circ}C$
- Frequency range—— $50Hz \sim 1KHz$
- Dielectric strength——Input (bare conductor) /output AC 800V/1min 5mA 50Hz
Output/Outer shell AC 3.5KV/1min 5mA 50Hz

Electrical parameters: (The following parameters are typical values and actual values will be subject to product testing)

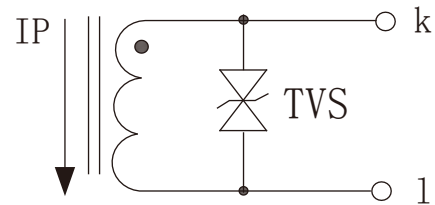
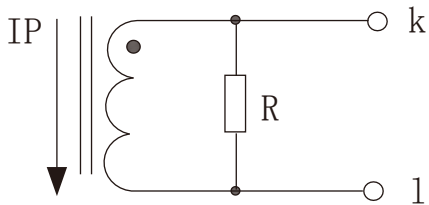
Max. Input 120A

Model	Input current	Output	Turns ratio	Load resistance	Accuracy	Linearity	Weight
SCT010T	20A	20mA	1: 1000	10 Ω	1%	1%	45g
SCT010T	20A	5mA	1: 4000	10 Ω	1%	1%	45g
SCT010T	50A	50mA	1: 1000	10 Ω	1%	1%	45g
SCT010T	50A	16.6mA	1: 3000	10 Ω	1%	1%	45g
SCT010T	60A	20mA	1: 3000	10 Ω	1%	1%	45g
SCT010T	80A	80mA	1: 1000	10 Ω	1%	1%	45g
SCT010T	80A	40mA	1: 2000	10 Ω	1%	1%	45g
SCT010T	80A	26.6mA	1: 3000	10 Ω	1%	1%	45g

Model	Input current	Output	Turns ratio	Load resistance	Accuracy	Linearity	Weight
SCT010T	10A	0.333V	-	built-in	1%	1%	45g
SCT010T	20A	0.333V	-	built-in	1%	1%	45g
SCT010T	30A	0.333V	-	built-in	1%	1%	45g
SCT010T	50A	0.333V	-	built-in	1%	1%	45g
SCT010T	60A	0.333V	-	built-in	1%	1%	45g
SCT010T	80A	0.333V	-	built-in	1%	1%	45g

***Can be customized parameters/lead length/lead specifications according to user requirements.**

Wiring schematic diagram:



Built-in sampling resistance

Voltage output type

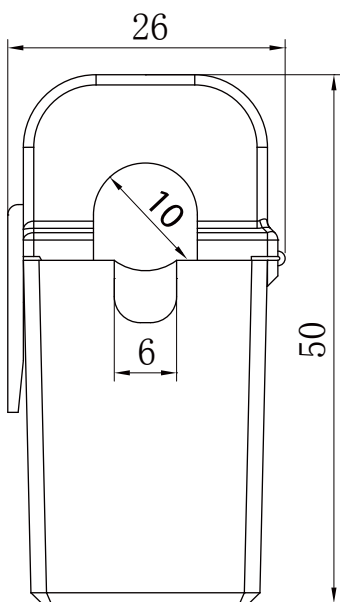
Secondary doesn't allow short circuit

TVS: Transient voltage suppressor

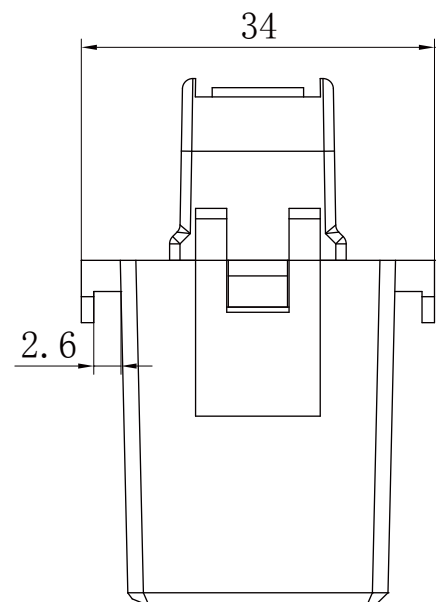
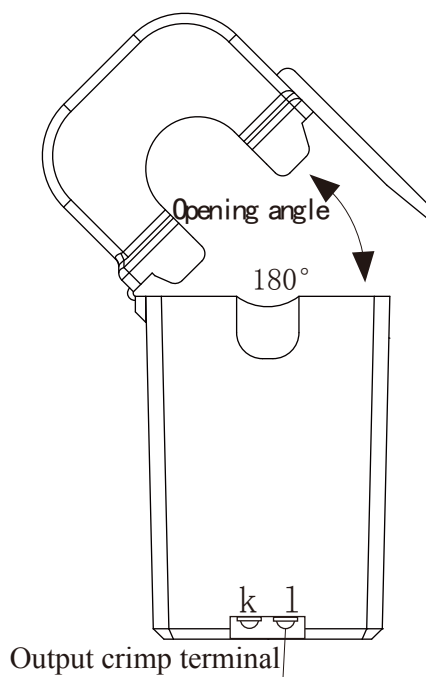
Current output type

Secondary doesn't allow open circuit

Outline size: (in:mm):



Front view



Side view