

## Φ10mm Aperture Split core current transformer



Front view

Opening view

Bottom view

### Characteristic

- Safety lock buckle, easy to install
- Built-in over-voltage protection device (TVS tube)
- Crimping terminal output
- Suspended type

### Product application

- Portable instrument
- Household metering
- Monitor motor load

### Product advantage

- Small volume, light weight
- Low cost
- High turns, high precision

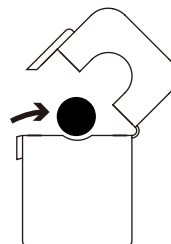
### Installation diagram

Primary threading method (Firing line)

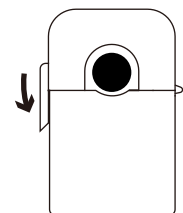


1. Open the buckle

2. Open upward



3. Put in lead wire



4. Fasten the buckle

**Typical technical index:**

- Material of core——Ferrite
- Working voltage——Phase voltage  $\leq 720V$
- Working temperature—— $-25^{\circ}C \sim +60^{\circ}C$
- Storage temperature—— $-30^{\circ}C \sim +90^{\circ}C$
- Frequency range—— $50Hz \sim 1KHz$
- Dielectric strength——Input (bare conductor) /output AC 800V/1min 5mA 50Hz  
Output/Outer shell AC 3.5KV/1min 5mA 50Hz

**Electrical parameters:** ( The following parameters are typical values and actual values will be subject to product testing )

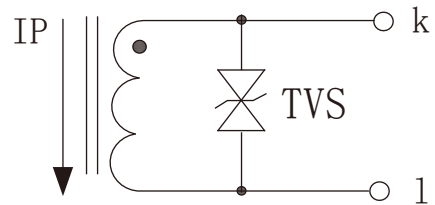
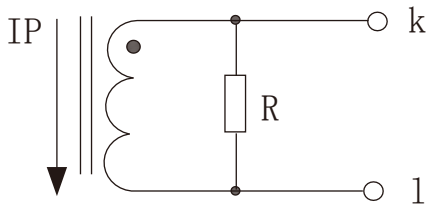
Max. continuous input current: 120% of rated input

Model	Input current	Output	Turns ratio	Load resistance	Accuracy	Linearity	Weight
SCT010T	20A	20mA	1: 1000	10 $\Omega$	0.5%/1%	1%	45g
SCT010T	20A	5mA	1: 4000	10 $\Omega$	0.5%/1%	1%	45g
SCT010T	50A	0.1A	1:500	10 $\Omega$	0.5%/1%	1%	45g
SCT010T	50A	50mA	1: 1000	10 $\Omega$	0.5%/1%	1%	45g
SCT010T	50A	16.6mA	1: 3000	10 $\Omega$	0.5%/1%	1%	45g
SCT010T	60A	20mA	1: 3000	10 $\Omega$	0.5%/1%	1%	45g
SCT010T	80A	80mA	1: 1000	10 $\Omega$	0.5%/1%	1%	45g
SCT010T	80A	40mA	1: 2000	10 $\Omega$	0.5%/1%	1%	45g
SCT010T	80A	26.6mA	1: 3000	10 $\Omega$	0.5%/1%	1%	45g

Model	Input current	Output	Turns ratio	Load resistance	Accuracy	Linearity	Weight
SCT010T	10A	0.333V	-	built-in	0.5%/1%	1%	45g
SCT010T	20A	0.333V	-	built-in	0.5%/1%	1%	45g
SCT010T	30A	0.333V	-	built-in	0.5%/1%	1%	45g
SCT010T	50A	0.333V	-	built-in	0.5%/1%	1%	45g
SCT010T	60A	0.333V	-	built-in	0.5%/1%	1%	45g
SCT010T	80A	0.333V	-	built-in	0.5%/1%	1%	45g

**\*Can be customized parameters/lead length/lead specifications according to user requirements.**

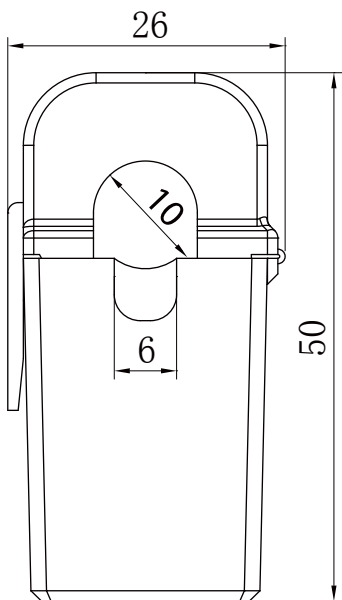
**Wiring schematic diagram:**



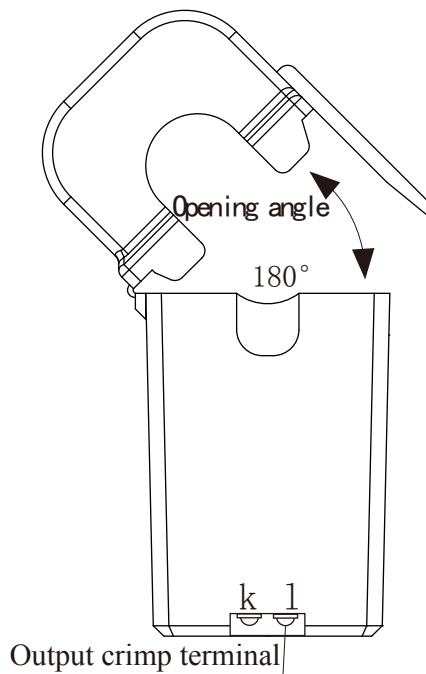
Built-in sampling resistance  
Voltage output type,  
Secondary doesn't allow short circuit

TVS: Transient voltage suppressor  
Current output type,  
Secondary doesn't allow open circuit

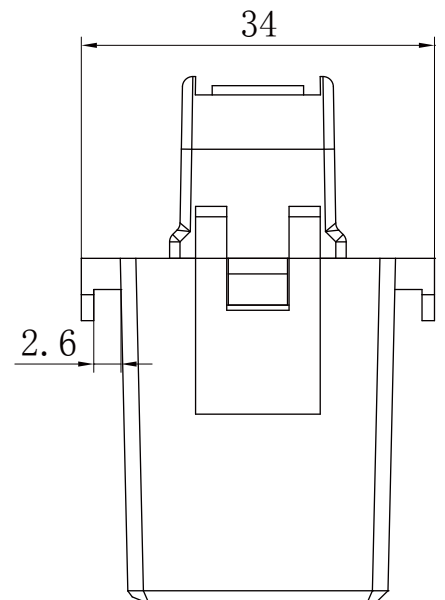
**Outline size: (in:mm):**



Front view



Output crimp terminal



Side view