

Characteristic:

Safety lock clasp, easy to install,
Built-in rectifier, crimping terminal output

Technical index:

Mounting type: Suspended type
Material of core—Ferrite
Execution standard: GB20840-2014
Operating temperature: $-25^{\circ}\text{C} \sim +60^{\circ}\text{C}$
Storage temperature: $-30^{\circ}\text{C} \sim +90^{\circ}\text{C}$
Frequency range: 50Hz-1KHz
Dielectric strength: 3.5KV 50Hz 1min

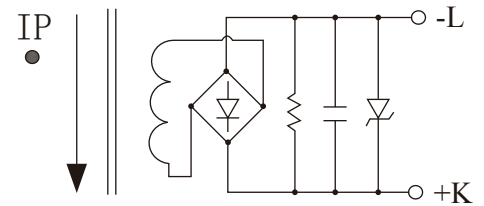
Product picture : (the printed words are for reference only, subject to the actual product)



Electrical parameters: (The following parameters are typical values and actual values will be subject to product testing)

Input current	5	10	20	30	50	A
Output voltage	1/3/5					V/DC
Accuracy	2					%
Sampling resistor	built-in					Ω
Weight	45					g

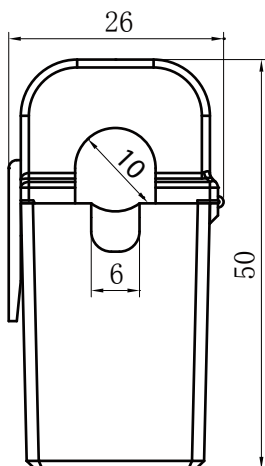
Schematic diagram:



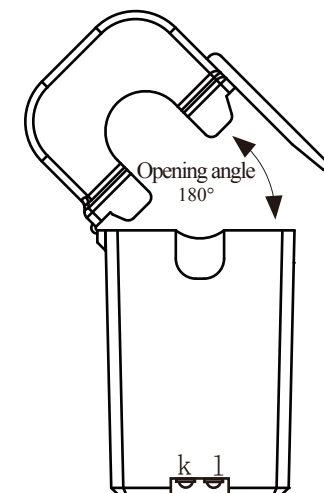
Voltage output type

Secondary are not allowed to short circuit

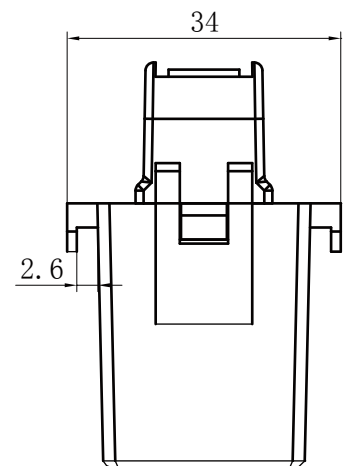
Dimensions (in mm ± 0.5):



Front view



Output terminal



Side view