

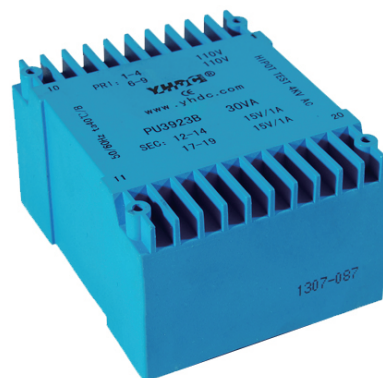
PU series flat type isolation transformer



Model:PU3923B

Characteristics:

PCB mounting, low mounting height, Input: double
110V/double 115V (or producing as customerized).



Technical Index:

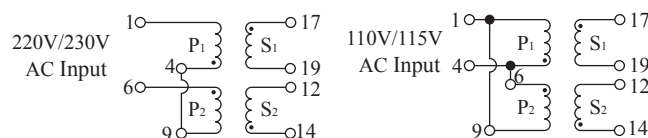
Mounting type: PCB
Flame resistance : UL94-V0
Isulation class: B
Operation temperature: $-30^{\circ}\text{C} \sim +40^{\circ}\text{C}$
Work frequency: 50Hz~60Hz
Dielectric strength: 4KV 50Hz 1min

Secondary voltage	Secondary no load voltage	Secondary full load current
6V×2	6.8V×2	2.5A×2
7.5V×2	8.4V×2	2A×2
9V×2	10.1V×2	1.67A×2
12V×2	13.5V×2	1.25A×2
15V×2	16.9V×2	1A×2
18V×2	20.3V×2	0.833A×2
24V×2	27V×2	0.625A×2

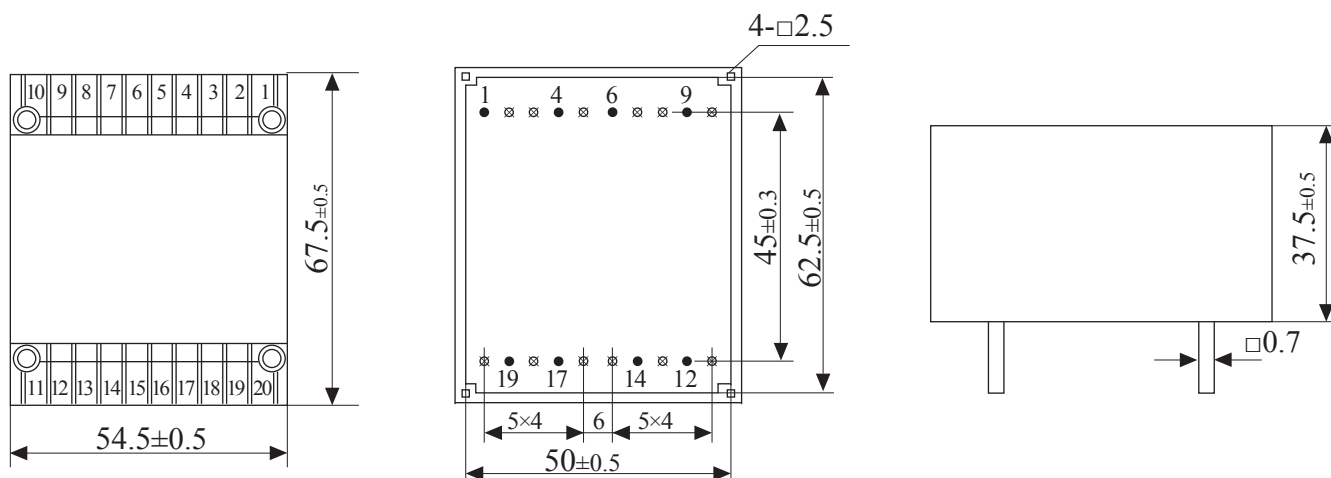
Technical Parameters table:

Primary voltage	110×2/115×2	V
Primary voltage range	±10	%
Voltage regulation	≤15	%
Power	30	VA
Temperature rising	≤35	°C
No load loss	≤1.6	W
weight	548	g

Schematic Diagram:



Dimension (in mm) :



Top View

Bottom View

Side View