

PU series flat type isolation transformer



Model:PU3910B

Characteristics:

1. Vacuum epoxy sealing, 100 °C/6 hours high temperature aging, life span of 20 years, high electrical strength
2. High quality Z11 silicon steel sheet, low temperature rise, high efficiency
3. PBT engineering plastic, environmental protection, flame retardant, 120 degrees no deformation
4. Reasonable structure, convenient installation, low noise, strong seismic, sealed waterproof, moisture-proof



Technical Index:

- Technical Index: PCB
- Flame resistance : UL94-V0
- Insulation class: B
- Operation temperature: -30°C ~ +40°C
- Work frequency: 50Hz ~ 60Hz
- Dielectric strength: Pri./Sec. 4KV 50Hz 1min 5mA, Sec./Sec 500V 50Hz 1min 5mA

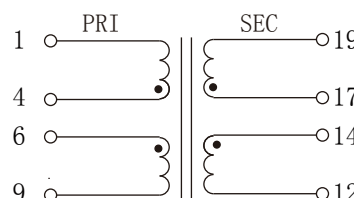
Technical Parameters table:

Primary voltage	Double 110	Double 115	unit
Primary voltage range	± 10		%
Voltage regulation	12		VA
Power	≤ 22.5		%
Temperature rising	≤ 25		°C
No load loss	≤ 0.55		W
Weight	280		g

Standard output parameter table :
(factory full load voltage shall prevail)

Secondary voltage	Secondary no load voltage	Secondary full load current
2 × 6V	2 × 7.6V	2 × 1A
2 × 7.5V	2 × 9.5V	2 × 800mA
2 × 9V	2 × 11.4V	2 × 667mA
2 × 12V	2 × 15.5V	2 × 500mA
2 × 15V	2 × 19.5V	2 × 400mA
2 × 18V	2 × 23V	2 × 333mA
2 × 24V	2 × 31V	2 × 250mA

Schematic Diagram:



Input/output shorting method

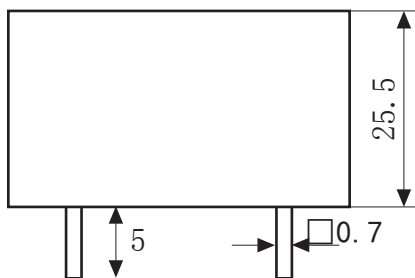
Series connection:

- 4-9 short circuit/1-6 input
- 12-17 short circuit/14-19 output

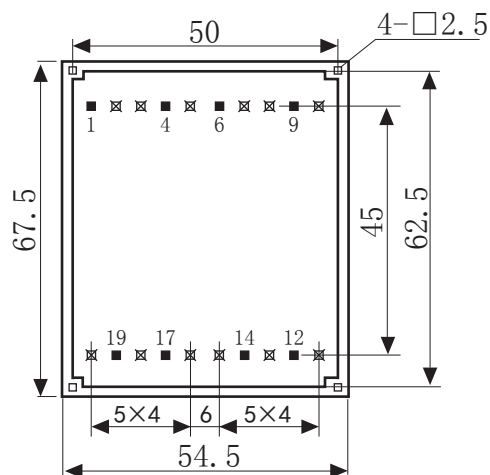
Parallel connection:

- 1-9 short circuit, 4-6 short circuit
- 1-4 input or 6-9 input
- 12-19 short circuit, 14-17 short circuit
- 12-14 output or 17-19 output

Dimension (in mm±0.5) :



Side View



Bottom View