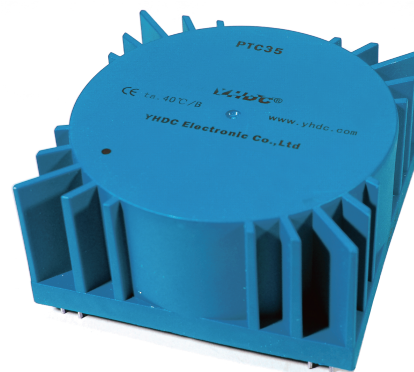


Model:PTC35

Characteristics:

Small leakage,Low noise,High efficiency,Low no load current,PCB mounting,Used for supper acoustics,Medical equipment,Military engineering,Precision instrument,using the imported high quality toroidal core Primary working voltage: 110×2/115×2/120×2/(Can be customized according to customer's requirements)



Technical index:

Mounting type:PCB

Flame resistance:UL94-V0

Insulation class:B grade

Work temperature:-30°C~+60°C

Frequency range:50Hz~60Hz

Dielectric strength:P1/P2: 600V AC

S1/S2: 600V AC

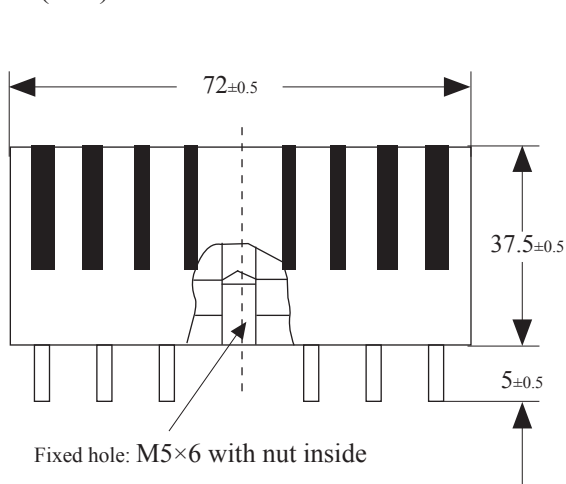
P/S: 4000V AC

Electrical data:

Primary voltage	110×2/115×2/120×2	V
Primary voltage range	±10	%
Voltage regulation	≤15	%
Power	35	VA
Temperature rising	≤20	°C
No load loss	<0.6	W
weight	660	g

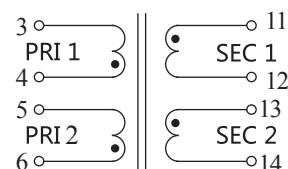
Secondary voltage	Secondary no load voltage	Secondary full load current
7V×2	8.2V×2	2500mA
9V×2	10.6V×2	1944mA
12V×2	14V×2	1458mA
15V×2	17.6V×2	1166mA
18V×2	20.9V×2	972mA
22V×2	25.7V×2	795mA

Dimension(mm):

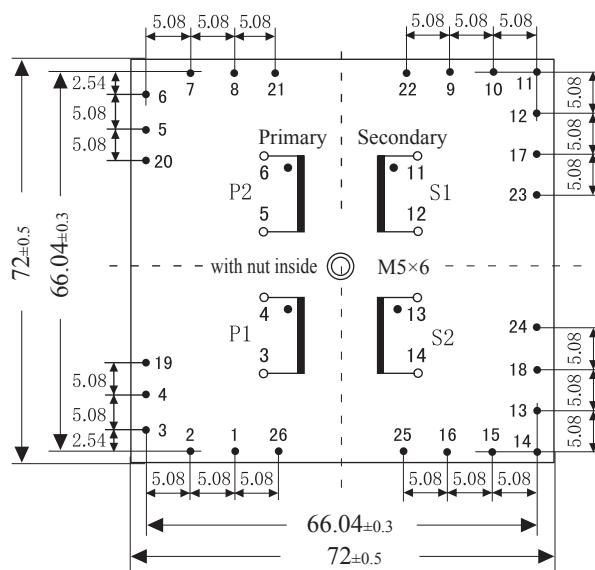


Front View

Schematic Diagram:



Series connection: 4-5 short connection, 3-6 input
Parallel connection: 4-6 short connection, 3-5 input



Bottom View