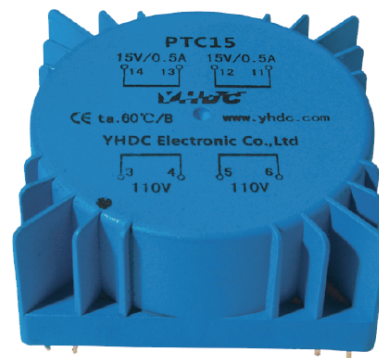


Model:PTC15

Characteristics:

Small leakage,Low noise,High efficiency,Low no load current,PCB mounting,Used for supper acoustics,Medical equipment,Military engineering,Precision instrument,using the imported high quality toroidal core Primary working voltage: 110×2/115×2/120×2/(Can be customized according to customer's requirements)



Technical index:

Mounting type:PCB

Flame resistance:UL94-V0

Insulation class:B grade

Work temperature:-30°C~+60°C

Frequency range:50Hz~60Hz

Dielectric strength:P1/P2: 600V AC

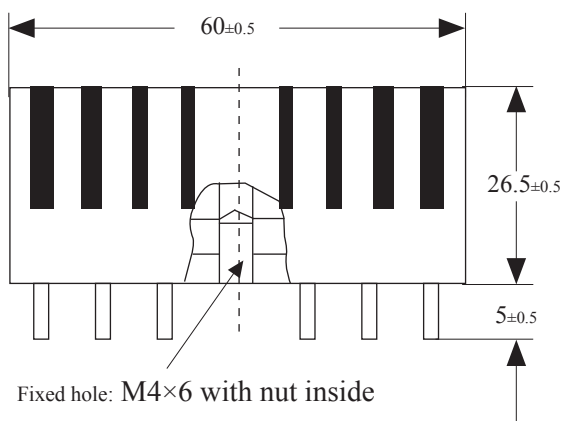
S1/S2: 600V AC

P/S: 4000V AC

Electrical data:

Primary voltage	110×2/115×2/120×2	V
Primary voltage range	±10	%
Voltage regulation	≤20	%
Power	15	VA
Temperature rising	≤28	°C
No load loss	<0.3	W
weight	300	g

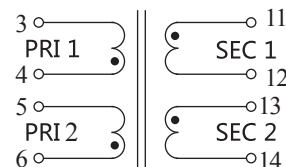
Dimension(mm):



Front View

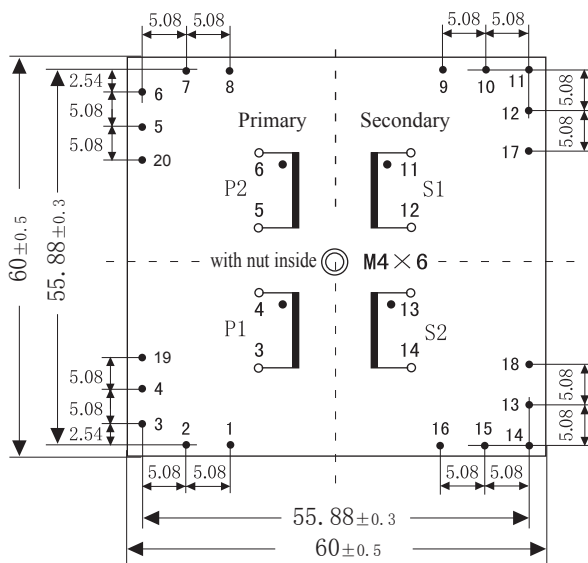
Secondary voltage	Secondary no load voltage	Secondary full load current
7V × 2	8.9V × 2	1.07A × 2
9V × 2	11.1V × 2	833mA × 2
12V × 2	14.8V × 2	625mA × 2
15V × 2	18.5V × 2	500mA × 2
18V × 2	22.2V × 2	417mA × 2
22V × 2	27.2V × 2	341mA × 2
24V × 2	24V × 2	313mA × 2

Schematic Diagram:



Series connection: 4-5 short connection, 3-6 input

Parallel connection: 4-6 short connection, 3-5 input



Bottom View