

$\Phi 36\text{mm}$ Aperture Split core current transformer With electricity, temperature measurement function.



Product features

- Opening and closing structure
- simple installation
- Puncture of their
- Temperature monitoring

Product application

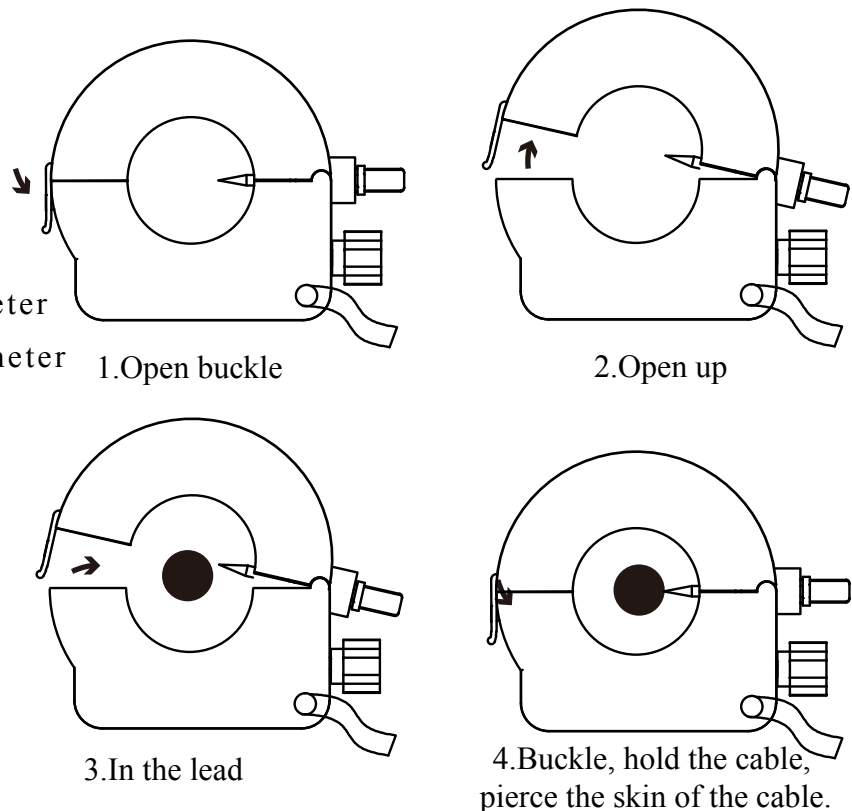
- Electric instrument and meter
- Electronic multifunction meter
- Check instrument

Product advantage

- Economic and practical
- Improve efficiency
- High cost performance

Installation diagram

One pass threading method



Typical technical index:

- Material of core——Nanocrystalline
- Work voltage——Phase voltage $\leq 720V$
- Operating temperature—— $-30^{\circ}C \sim +75^{\circ}C$
- Storage temperature—— $-40^{\circ}C \sim +85^{\circ}C$
- Work frequency—— $20Hz \sim 20KHz$
- Delectric strength——Output/shell AC 3.5KV/1min 5mA 50Hz
- weight—— g

Electrical parameters: (The following parameters are typical values and actual values will be subject to product testing)

Remarks:

Rated input	600A
Rated output	75mA
Turns ratio	1:8000
Accuracy	0.5%
Sampling resistance	100 Ω

Can be made according to user requirements parameters

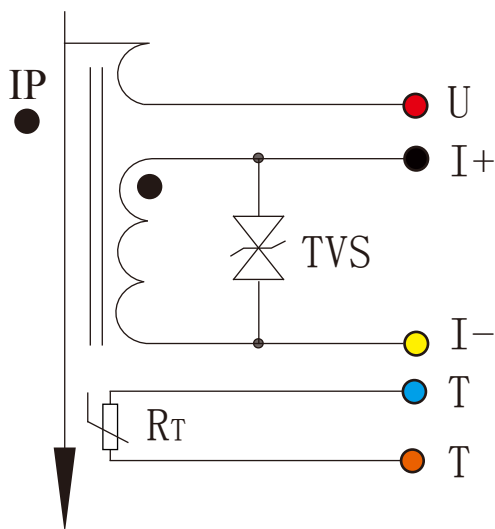
Temperature sensor parameters	10K $\Omega \pm 1%$ (25 $^{\circ}C$)
Fetch parameter	110V/220V/380V

B_{25 $^{\circ}C$ /50 $^{\circ}C$} : 3,950K $\pm 1%$ (B value)

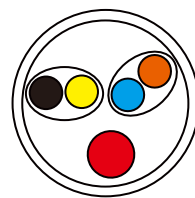
Current output line	Black: I+ Yellow: I-
Take the output line	Red: Voltage U
Temperature output line	Blue: temperature T Orange: temperature T

Take electricity can only be used as a measure the voltage puncture, cannot be used to take to, otherwise accident may occur

Schematic Diagram



Cable:



Diameter: 6mm
Pressure: 2KV/0.5mA/1min
Temperature: $-30^{\circ}C \sim +80^{\circ}C$

Leading wire specification:
Five core shielding wire

color of lead wire: Red、Black、Yellow、Blue、Orange

Red-0.2mm²

Black-0.1mm²

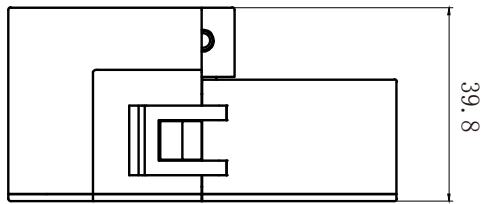
Yellow-0.1mm²

Blue-0.1mm²

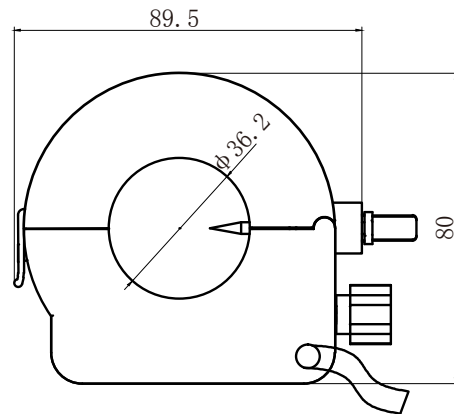
Orange-0.1mm²

length of lead wire: 60cm

Dimensions(in mm±0.5) :

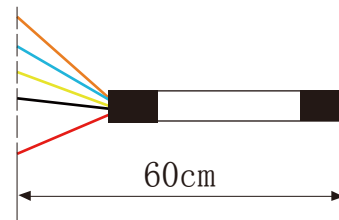


Side view



Front view

Color	Define
Red	voltage U
Black	current I+
Yellow	current I-
Blue	Temperature T
Orange	Temperature T



Lead set of heat shrinkable tube on both ends

Instructions for use:

1. According to the connection mode of correct connection
2. The direction shown by the arrow is positive
3. Full hole measurement, the best effect
4. Faulty wiring can lead to product damage and output uncertainty

Safe operation:

- *Please read this specification carefully before use.
- *Need to replace product, please be sure to take insulating gloves, remove all the splice of the connected with.
- *If found shell, devices attached to the fixed parts, wire, or have any damaged, please immediately deal with hidden dangers.
- *If there is any doubt about the safe operation of the equipment, the equipment and the corresponding accessories should be closed immediately, and the fastest time for troubleshooting.

Proclamations:

As our products are constantly being improved and updated, we reserve the right to modify the content of this specification at any time without prior notice.