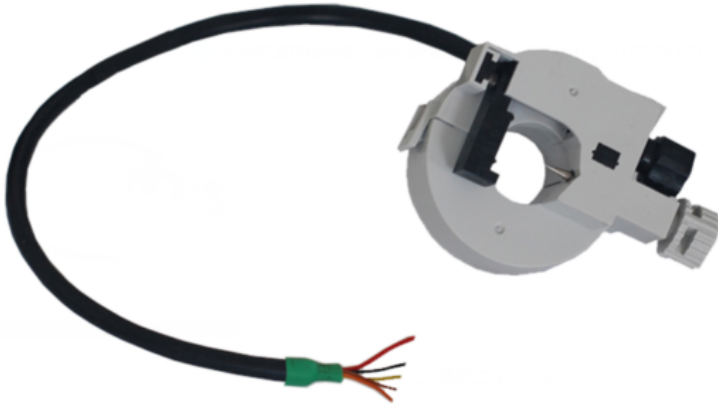


$\Phi 22\text{mm}$  Aperture Split core current transformer With electricity, temperature measurement function.

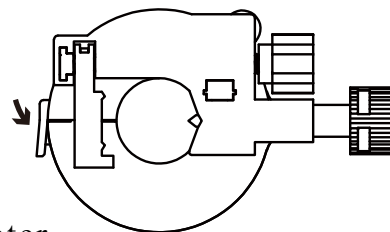


## Product features

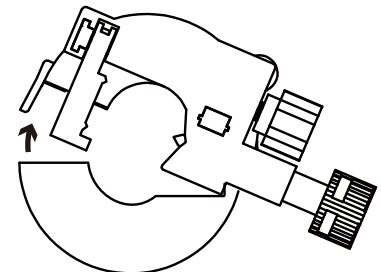
- Opening and closing structure
- simple installation
- Puncture of their
- Temperature monitoring

## Installation diagram

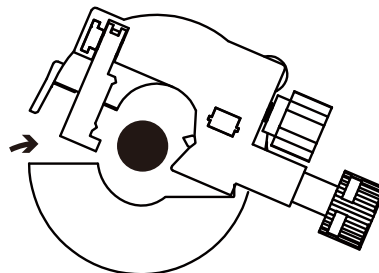
One pass threading method



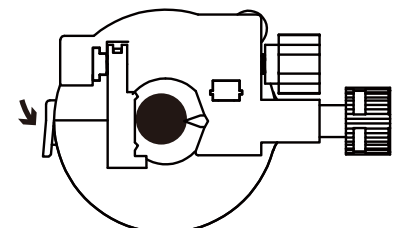
1. Open buckle



2. Open up



3. In the lead



4. Buckle, hold the cable, pierce the skin of the cable.

## Product application

- Electric instrument and meter
- Electronic multifunction meter
- Check instrument

## Product advantage

- Economic and practical
- Improve efficiency
- High cost performance

**Typical technical index:**

- Material of core——Nanocrystalline
- Work voltage——Phase voltage  $\leq 720V$
- Operating temperature—— $-30^{\circ}C \sim +75^{\circ}C$
- Storage temperature—— $-40^{\circ}C \sim +85^{\circ}C$
- Work frequency—— $20Hz \sim 20KHz$
- Delectric strength——Output/shell AC 3.5KV/1min 5mA 50Hz
- weight——130g

**Electrical parameters:** ( The following parameters are typical values and actual values will be subject to product testing )

**Remarks:**

Rated input	100A	200A	300A	400A
Rated output	0.1A	0.1A	0.1A	0.1A
Turns ratio	1:1000	1:2000	1:3000	1:4000
Accuracy	0.5%			
Sampling resistance	100 $\Omega$			

Can be made according to user requirements parameters

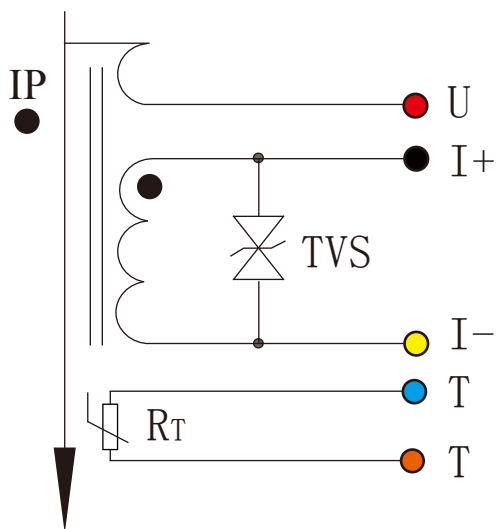
Temperature sensor parameters	10K $\Omega \pm 1\%$ (25 $^{\circ}C$ )
Fetch parameter	110V/220V/380V

B<sub>25 $^{\circ}C$ /50 $^{\circ}C$</sub> : 3,950K  $\pm 1\%$  (B value)

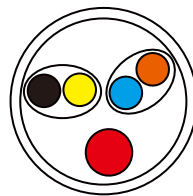
Current output line	Black: I+      Yellow: I-
Take the output line	Red: Voltage U
Temperature output line	Blue: temperature T Orange: temperature T

Take electricity can only be used as a measure the voltage puncture, cannot be used to take to, otherwise accident may occur

**Schematic Diagram**



**Cable:**



Diameter: 6mm  
Pressure: 2KV/0.5mA/1min  
Temperature:  $-30^{\circ}C \sim +80^{\circ}C$

Leading wire specification:  
Five core shielding wire

color of lead wire: Red、Black、Yellow、Blue、Orange

Red-0.2mm<sup>2</sup>

Black-0.1mm<sup>2</sup>

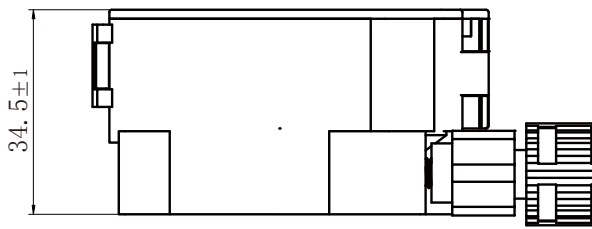
Yellow-0.1mm<sup>2</sup>

Blue-0.1mm<sup>2</sup>

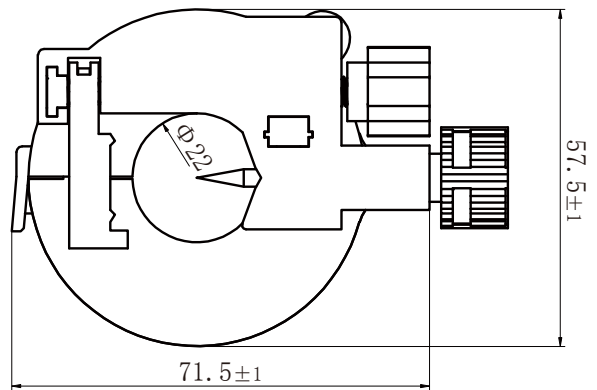
Orange-0.1mm<sup>2</sup>

length of lead wire: 60cm

**Dimensions(in mm±0.5) :**

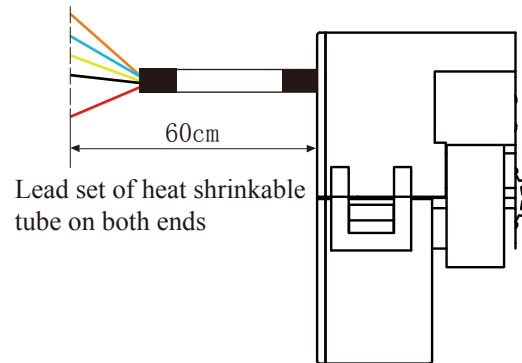


Side view



Front view

Color	Define
Red	voltage U
Black	current I+
Yellow	current I-
Blue	Temperature T
Orange	Temperature T



**Instructions for use:**

1. According to the connection mode of correct connection
2. The direction shown by the arrow is positive
3. Full hole measurement, the best effect
4. Faulty wiring can lead to product damage and output uncertainty

**Safe operation:**

- \*Please read this specification carefully before use.
- \*Need to replace product, please be sure to take insulating gloves, remove all the splice of the connected with.
- \*If found shell, devices attached to the fixed parts, wire, or have any damaged, please immediately deal with hidden dangers.
- \*If there is any doubt about the safe operation of the equipment, the equipment and the corresponding accessories should be closed immediately, and the fastest time for troubleshooting.

**Proclamations:**

As our products are constantly being improved and updated, we reserve the right to modify the content of this specification at any time without prior notice.