

K series isolation transformer



Model:PE5424K-M

Characteristics:

1. Vacuum epoxy sealing, 100 °C/6 hours high temperature aging, life span of 20 years, high electrical strength
2. High quality H18 silicon steel sheet, low temperature rise, high efficiency
3. PBT engineering plastic, environmental protection, flame retardant, 120 degrees no deformation
4. Reasonable structure, convenient installation, low noise, strong seismic, sealed waterproof, moisture-proof

Technical Index:

Technical Index: PCB

Flame resistance : UL94-V0

Insulation class: B

Operation temperature: -30°C ~ +40°C

Work frequency: 50Hz~60Hz

Dielectric strength: Pri./Sec. 3.75KV 50Hz 1min 5mA, Sec/Sec 500V 50Hz 1min 5mA

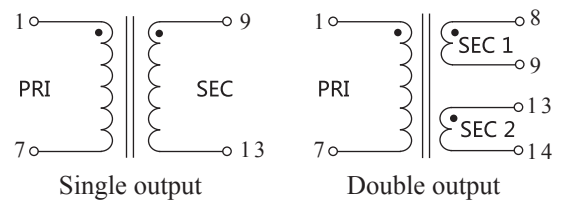
Technical Parameters table:

Primary voltage	110/220/230/380	V
Primary voltage range	±10	%
Voltage regulation	≤15	%
Power	20	VA
Temperature rising	≤20	°C
No load loss	≤1.7	W
weight	497	g

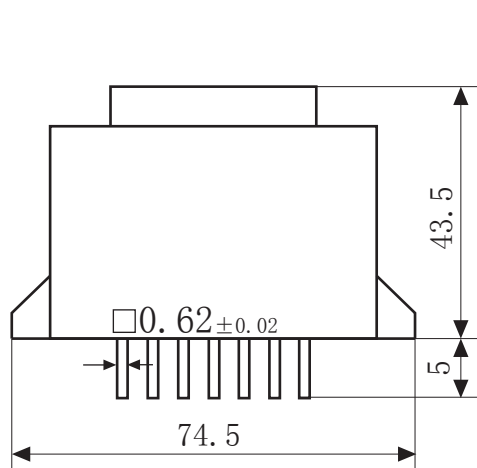


Secondary voltage		Secondary no load voltage		Secondary full load current	
Single	Double	Single	Double	Single	Double
6V	6V×2	6.7V	6.7V×2	3333mA	1667mA×2
7.5V	7.5V×2	8.4V	8.4V×2	2666mA	1333mA×2
9V	9V×2	10.1V	10.1V×2	2222mA	1111mA×2
12V	12V×2	13.5V	13.5V×2	1666mA	833mA×2
15V	15V×2	17V	17V×2	1333mA	667mA×2
18V	18V×2	20.3V	20.3V×2	1111mA	555.5mA×2
24V	24V×2	27.1V	27.1V×2	833mA	416.5mA×2

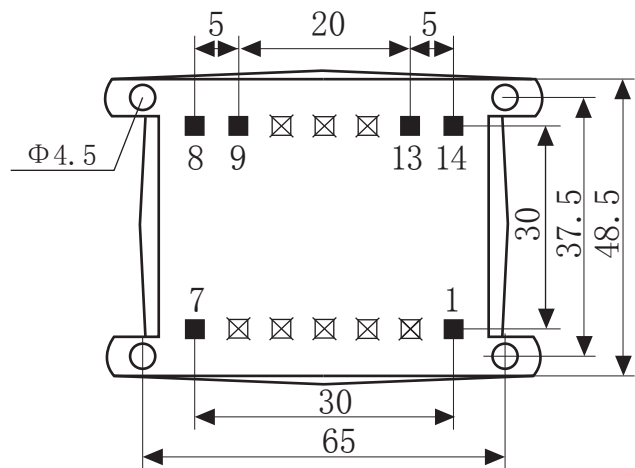
Schematic Diagram:



Dimension (in mm) :



Front View



Bottom View