

# PE series PCB safety isolation transformer



Model:PE3515-M

## Characteristics:

Vacuum Epoxy Encapsulated,PCB mounting,Primary voltage:  
110V/220V/230V,or producing as customerized.

## Technical Index:

Technical Index: PCB

Flame resistance : UL94-V0

Insulation class: B

Operation temperature: -30°C~+70°C

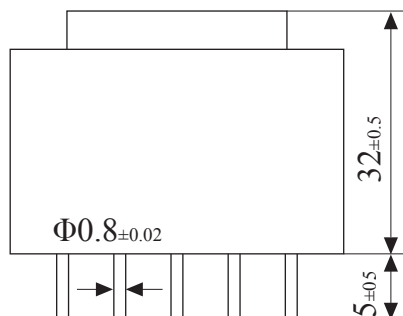
Work frequency: 50Hz~60Hz

Dielectric strength: 3.75KV 50Hz 1min

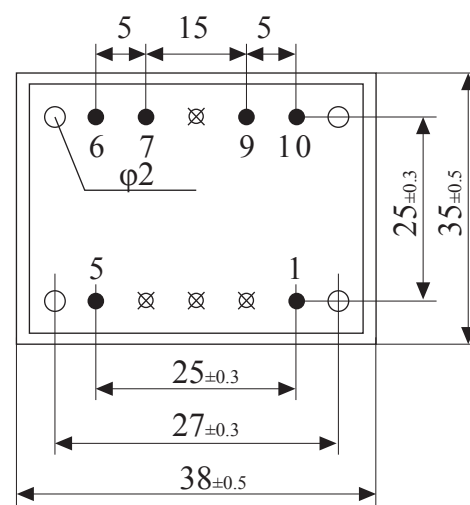
## Technical Parameters table:

Primary voltage	110/220/230	V
Primary voltage range	±10	%
Voltage regulation	≤25	%
Power	3.5	VA
Temperature rising	≤22	°C
No load loss	≤0.5	W
weight	150	g

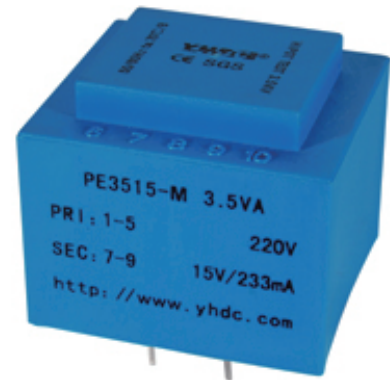
## Dimension (in mm) :



Front View



Bottom View



Secondary voltage		Secondary no load voltage		Secondary full load current	
Single	Double	Single	Double	Single	Double
6V	6V×2	8.2V	8.2V×2	583mA	291.5mA×2
7.5V	7.5V×2	10.4V	10.4V×2	466mA	233mA×2
9V	9V×2	12.4V	12.4V×2	389mA	194mA×2
12V	12V×2	16.6V	16.6V×2	291mA	145.5mA×2
15V	15V×2	19V	19V×2	233mA	116.5mA×2
18V	18V×2	23V	23V×2	194mA	97mA×2
24V	24V×2	33.1V	33.1V×2	145mA	72.5mA×2

## Schematic Diagram:

