

Waterproof transformer

Model:OE6637

Waterproof transformer, Reasonable design, Stable safety,
Built-in recoverable thermal fuse (optional).

Technical Index:

Sub-plate mount, Leading wire input / output

Flame resistance : UL94-V0

Insulation class : B

Operation temperature: -25°C ~ +40°C

Waterproof class: IP67

Work frequency: 50Hz ~ 60Hz

Dielectric strength: 3.75KV 50Hz 1min



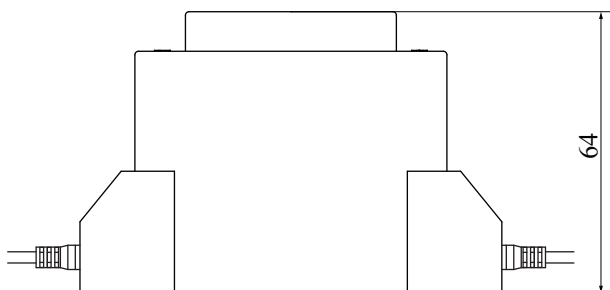
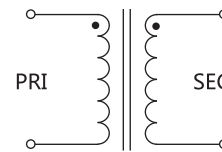
Technical Parameters table:

Primary voltage	110/220/230	V
Primary voltage range	±10	%
Voltage regulation	≤11	%
Power	60	VA
Temperature rising	≤30	°C
No load loss	≤1.5	W
weight	1.1	kg

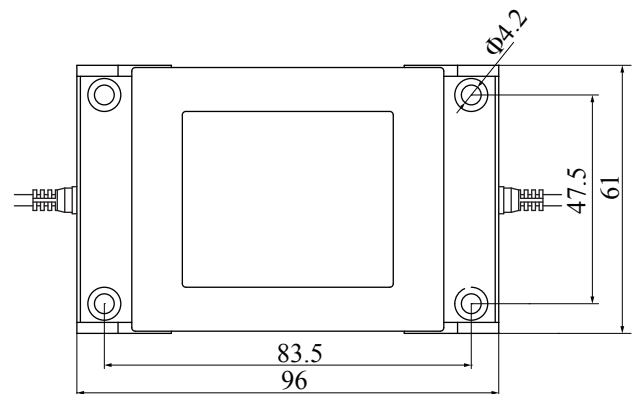
Secondary voltage	Secondary no load voltage	Secondary full load current
6V	6.7V	10A
7.5V	8.4V	8A
9V	10.2V	6.66A
12V	13.5V	5A
15V	16.9V	4A
18V	20.3V	3.33A
24V	27.1V	2.5A

Dimension (in mm) :

Schematic Diagram:



Front View



Top View