

Waterproof transformer



Model:OE6035

Waterproof transformer, Reasonable design, Stable safety,
Built-in recoverable thermal fuse (optional).

Technical Index:

Sub-plate mount, Leading wire input / output

Flame resistance : UL94-V0

Insulation class : B

Operation temperature: -25°C ~ +40°C

Waterproof class: IP67

Work frequency: 50Hz ~ 60Hz

Dielectric strength: 3.75KV 50Hz 1min

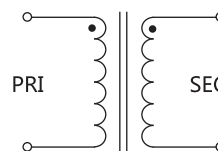


Technical Parameters table:

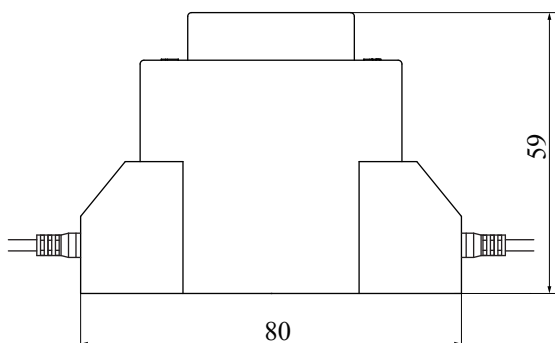
Primary voltage	110/220/230	V
Primary voltage range	±10	%
Voltage regulation	≤11	%
Power	50	VA
Temperature rising	≤30	°C
No load loss	≤1.5	W
weight	800	g

Secondary voltage	Secondary no load voltage	Secondary full load current
6V	6.7V	8.3A
7.5V	8.4V	6.6A
9V	10V	5.5A
12V	13.5V	4.1A
15V	16.8V	3.3A
18V	20.2V	2.7A
24V	27V	2.1A

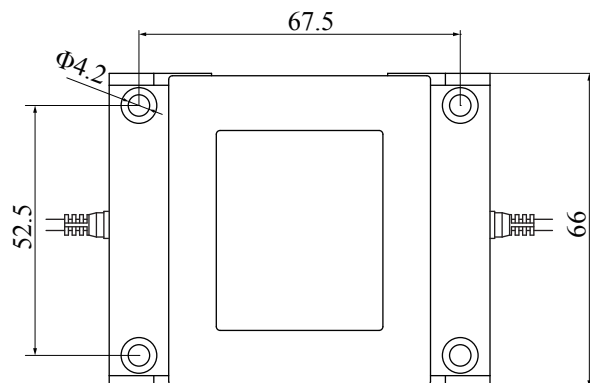
Schematic Diagram:



Dimension (in mm) :



Front View



Top View