

# Waterproof transformer

## Model:OE5424

Waterproof transformer, Reasonable design, Stable safety,  
Built-in recoverable thermal fuse ( optional).

### Technical Index:

Sub-plate mount, Leading wire input / output

Flame resistance : UL94-V0

Insulation class : B

Operation temperature: -25°C ~ +40°C

Waterproof class: IP67

Work frequency: 50Hz ~ 60Hz

Dielectric strength: 3.75KV 50Hz 1min



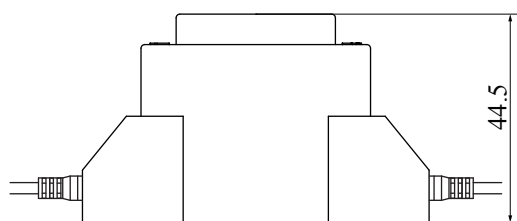
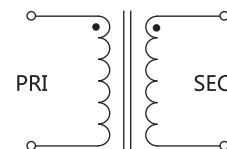
### Technical Parameters table:

Primary voltage	110/220/230	V
Primary voltage range	±10	%
Voltage regulation	≤15	%
Power	20	VA
Temperature rising	≤28	°C
No load loss	≤1.2	W
weight	490	g

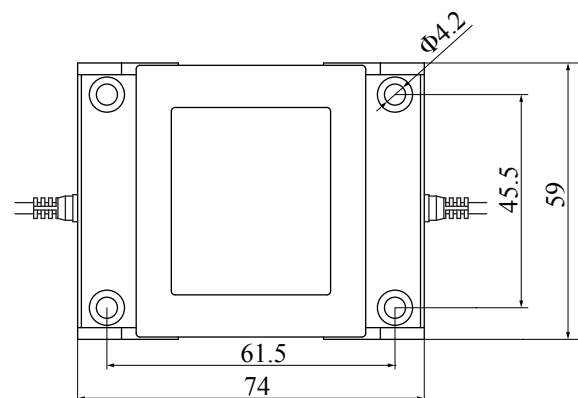
Secondary voltage	Secondary no load voltage	Secondary full load current
6V	6.8V	3333mA
7.5V	8.6V	2666mA
9V	10.3V	2222mA
12V	13.7V	1666mA
15V	17.1V	1333mA
18V	20.5V	1111mA
24V	27.3V	833mA

Dimension (in mm) :

### Schematic Diagram:



Front View



Top View