

LN202 common mode choke



Product features:

It is used for switching power supply, suppressing common mode interference signal.

Product picture : (the printed words are for reference only, subject to the actual product)

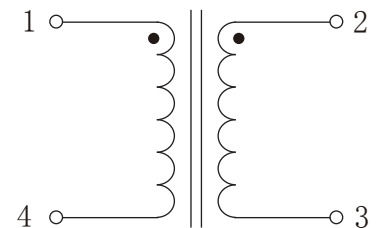
Technical index:

- Installation method: PCB
- Flame resistance: UL94-V0
- Operating temperature: $-20^{\circ}\text{C} \sim +100^{\circ}\text{C}$
- Storage temperature: $-20^{\circ}\text{C} \sim +100^{\circ}\text{C}$
- Operating voltage: 250V
- Inrush current: 20 times the rated current (10 ms)
- Dielectric strength: 1.5KV/1min (between two coils)
4KV/1min (between coil&shell)

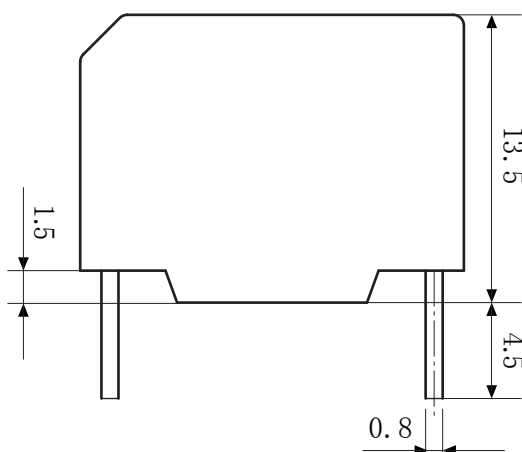
Electrical parameters: (The following parameters are typical values and actual values will be subject to product testing)

Model	LN202 -0.3	LN202 -0.6	LN202 -1	LN202 -1.5	LN202 -2	Unit
Rated current	0.3	0.6	1	1.5	2	A
Inductance	12	4.4	3	1.6	1.1	mH
DC resistance	1275	385	205	100	70	m Ω
Inductance error	-30% ~ +50%					%
Inductance test conditions	10KHz, 0.3V					
Weight						g

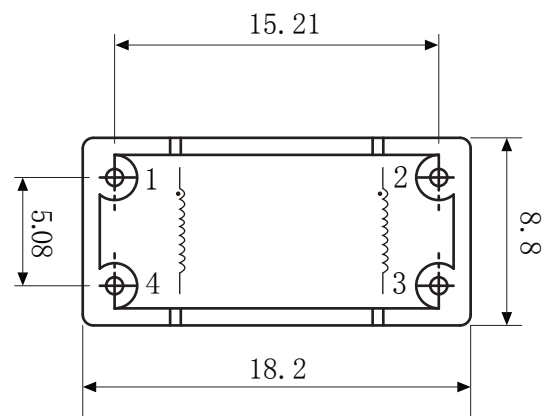
Schematic diagram:



Dimensions (in mm ± 0.5) :



Front view



Bottom view