

LN143 common mode choke



Product features:

It is used for switching power supply, suppressing common mode interference signal.

Technical index:

- Installation method: PCB
- Flame resistance: UL94-V0
- Operating temperature: $-20^{\circ}\text{C} \sim +100^{\circ}\text{C}$
- Storage temperature: $-20^{\circ}\text{C} \sim +100^{\circ}\text{C}$
- Operating voltage: 250V
- Inrush current: 20 times the rated current (10 ms)
- Dielectric strength: 1.5KV/1min (between two coils)
4KV/1min (between coil&shell)

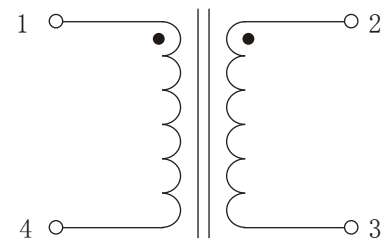
Product picture : (the printed words are for reference only, subject to the actual product)



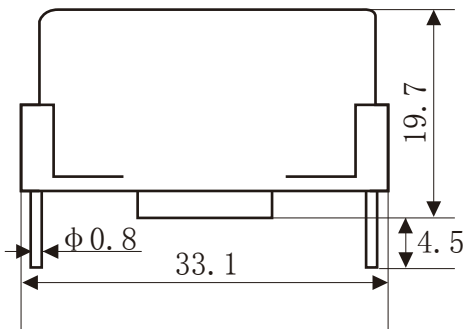
Electrical parameters: (The following parameters are typical values and actual values will be subject to product testing)

Model	LN143 -0.5	LN143 -1	LN143 -2	LN143 -4	LN143 -6	Unit
Rated current	0.5	1	2	4	6	A
Inductance	100	47	10	3.9	1.8	mH
DC resistance	2900	880	230	58	20	m Ω
Inductance error	-30% ~ +50%					%
Inductance test conditions	10KHz, 0.3V					
Weight	35.4					g

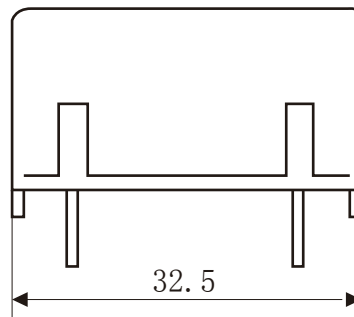
Schematic diagram:



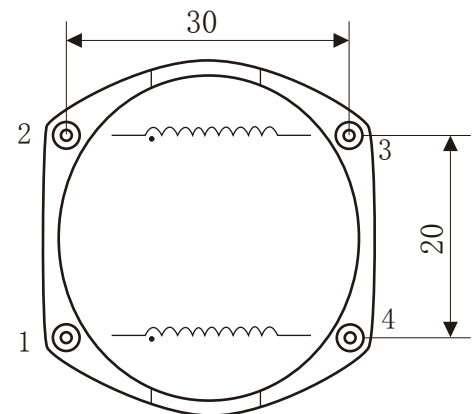
Dimensions (in mm ± 0.5) :



Front view



Side view



Bottom view