

LN122 common mode choke



Product features:

It is used for switching power supply, suppressing common mode interference signal.

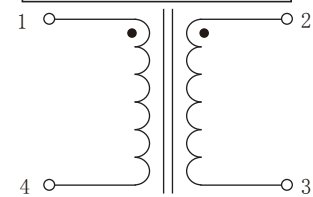
Product picture : (the printed words are for reference only, subject to the actual product)

Technical index:

- Installation method: PCB
- Flame resistance: UL94-V0
- Operating temperature: $-20^{\circ}\text{C} \sim +100^{\circ}\text{C}$
- Storage temperature: $-20^{\circ}\text{C} \sim +100^{\circ}\text{C}$
- Operating voltage: 250V
- Inrush current: 20 times the rated current (10 ms)
- Dielectric strength: 1.5KV/1min (between two coils)
4KV/1min (between coil&shell)



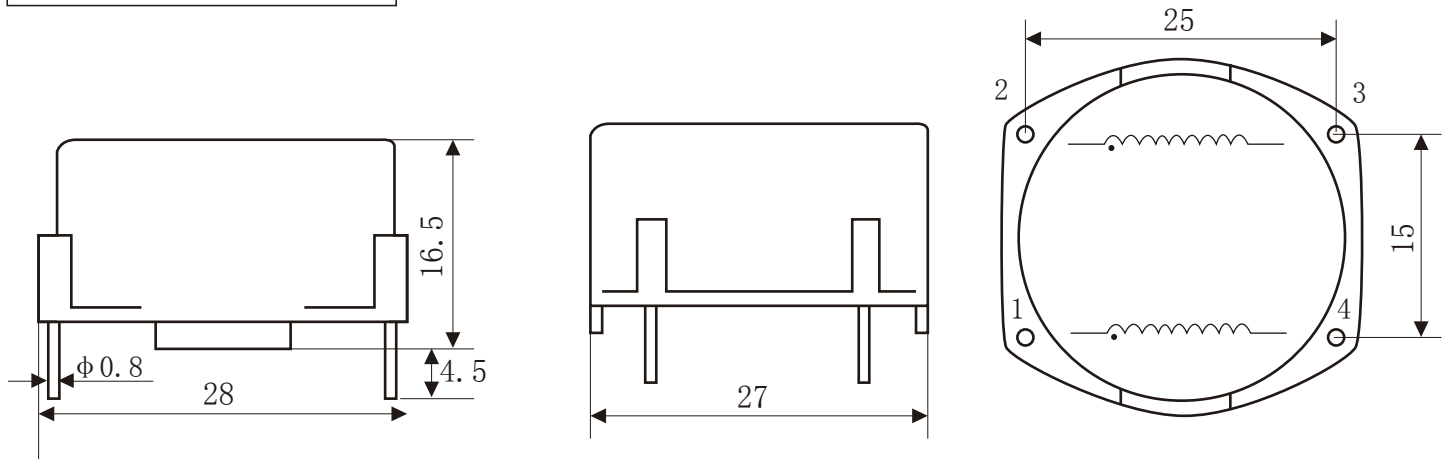
Schematic diagram:



Electrical parameters: (The following parameters are typical values and actual values will be subject to product testing)

Model	LN122 -0.6	LN122 -0.8	LN122 -1	LN122 -1.5	LN122 -2	LN122 -2.5	LN122 -3	LN122 -4	Unit
Rated current	0.6	0.8	1	1.5	2	2.5	3	4	A
Inductance	47	39	18	10	6.8	5.6	4.5	3.3	mH
DC resistance	1180	1000	610	220	147	105	80	45	mΩ
Inductance error	-30% ~ +50%								%
Inductance test conditions	10KHz, 0.3V								
Weight	19								g

Dimensions (in mm ± 0.5) :



Side view