

LN114 common mode choke



Product features:

It is used for switching power supply, suppressing common mode interference signal.

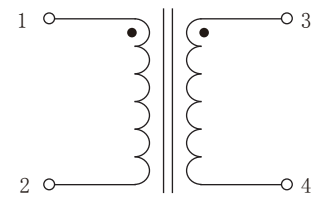
Product picture : (the printed words are for reference only, subject to the actual product)



Technical index:

- Installation method: PCB
- Flame resistance: UL94-V0
- Operating temperature: $-20^{\circ}\text{C} \sim +100^{\circ}\text{C}$
- Storage temperature: $-20^{\circ}\text{C} \sim +100^{\circ}\text{C}$
- Operating voltage: 250V
- Inrush current: 20 times the rated current (10 ms)
- Dielectric strength: 1.5KV/1min (between two coils)
4KV/1min (between coil&shell)

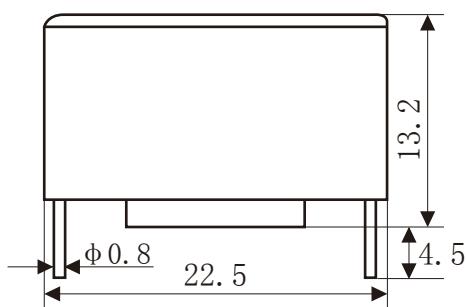
Schematic diagram:



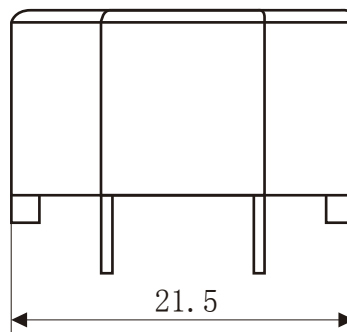
Electrical parameters: (The following parameters are typical values and actual values will be subject to product testing)

Model	LN114 -0.3	LN114 -0.5	LN114 -0.8	LN114 -1	LN114 -1.2	LN114 -1.5	LN114 -2	LN114 -2.5	LN114 -3	LN114 -4	Unit
Rated current	0.3	0.5	0.8	1	1.2	1.5	2	2.5	3	4	A
Inductance	47	39	27	15	10	6.8	4.2	3.3	2	1.5	mH
DC resistance	1750	810	500	375	200	130	102	72	55	35	mΩ
Inductance error	-30% ~ +50%										%
Inductance test conditions	10KHz, 0.3V										
Weight	10										g

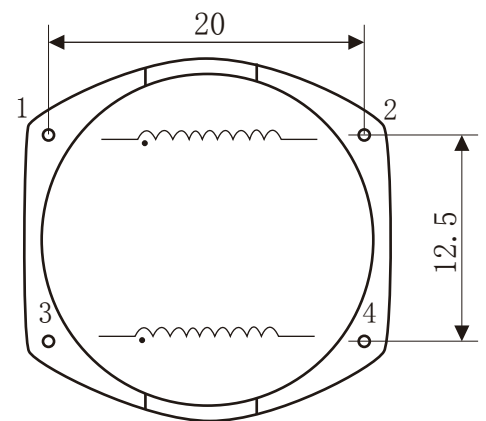
Dimensions (in mm ± 0.5) :



Front view



Side view



Bottom view