

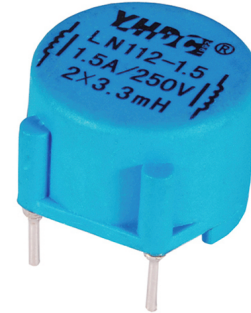
LN112 common mode choke



Product features:

It is used for switching power supply, suppressing common mode interference signal.

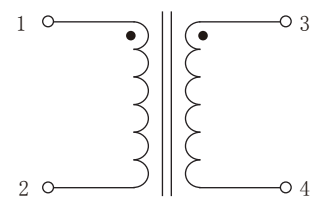
Product picture : (the printed words are for reference only, subject to the actual product)



Technical index:

- Installation method: PCB
- Flame resistance: UL94-V0
- Operating temperature: $-20^{\circ}\text{C} \sim +100^{\circ}\text{C}$
- Storage temperature: $-20^{\circ}\text{C} \sim +100^{\circ}\text{C}$
- Operating voltage: 250V
- Inrush current: 20 times the rated current (10 ms)
- Dielectric strength: 1.5KV/1min (between two coils)
4KV/1min (between coil&shell)

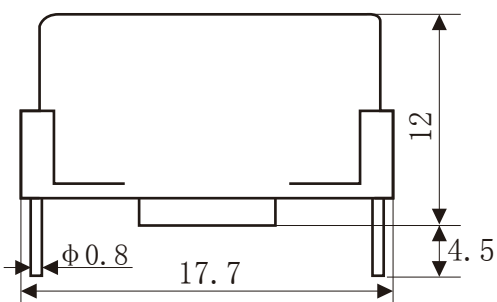
Schematic diagram:



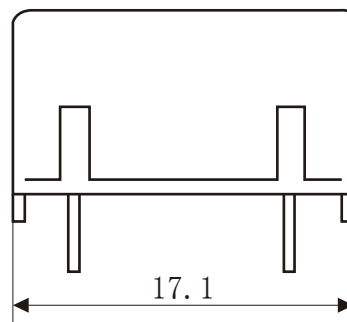
Electrical parameters: (The following parameters are typical values and actual values will be subject to product testing)

Model	LN112 -0.4	LN112 -0.5	LN112 -0.6	LN112 -0.8	LN112 -1.2	LN112 -1.5	LN112 -2	LN112 -4	Unit
Rated current	0.4	0.5	0.6	0.8	1.2	1.5	2	4	A
Inductance	39	27	15	10	6.8	3.3	1.8	0.7	mH
DC resistance	1460	1250	465	370	245	135	75	27	mΩ
Inductance error	-30% ~ +50%								%
Inductance test conditions	10KHz, 0.3V								
Weight	6								g

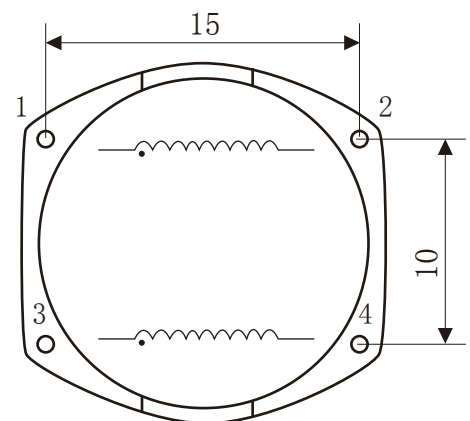
Dimensions (in mm ± 0.5) :



Front view



Side view



Bottom view