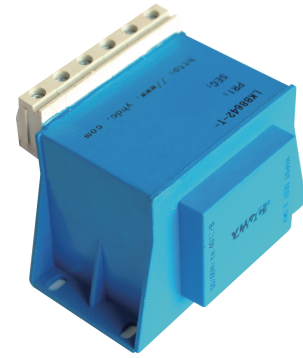


Model:LKB8642-T

Characteristics:

Vacuum Epoxy Encapsulated,Crimp terminal output,Primary voltage:110V/220V/230V(or producing as customized).



Technical Index:

Mounting type: Sub-plate mount

Flame resistance : UL94-V0

Insulation class: B

Operation temperature: -30°C ~ +40°C

Work frequency: 50Hz~60Hz

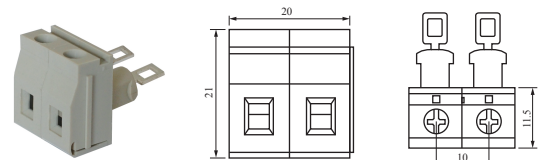
Dielectric strength: 3.75KV 50Hz 1min

Technical Parameters table:

Primary voltage	110/220/230	V
Primary voltage range	±10	%
Voltage regulation	≤10	%
Power	120	VA
Temperature rising	≤40	°C
No load loss	≤1.8	W
weight	2.2	Kg

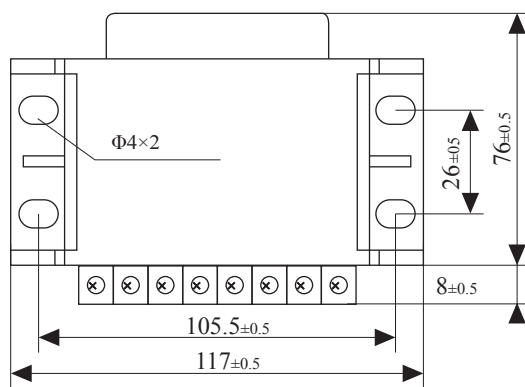
Secondary voltage		Secondary no load voltage		Secondary full load current	
Single	Double	Single	Double	Single	Double
6V	6V×2	6.5V	6.5V×2	20A	10A×2
7.5V	7.5V×2	8.1V	8.1V×2	16A	8A×2
9V	9V×2	9.72V	9.72V×2	13.33A	6.67A×2
12V	12V×2	12.9V	12.9V×2	10A	5A×2
15V	15V×2	16.2V	16.2V×2	8A	4A×2
18V	18V×2	19.4V	19.4V×2	6.66A	3.33A×2
24V	24V×2	25.9V	25.9V×2	5A	2.5A×2

Connector Illustration:

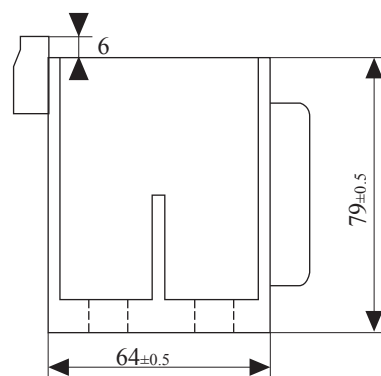


Embedded transformer dedicated crimp terminal, Spacing 10mm, Current 20A

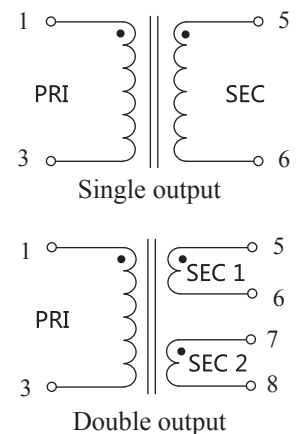
Dimension (in mm) :



Top View



Side View



Schematic Diagram