

## Model:LKB4820-L

### Characteristics:

Vacuum Epoxy Encapsulated, Sub-plate mount, Primary L is output with leading wire ( please note the cable length when ordering) voltage:110V/220V/230V(or producing as customerized).

### Technical Index:

Mounting type: Sub-plate mount

Flame resistance : UL94-V0

Insulation class: B

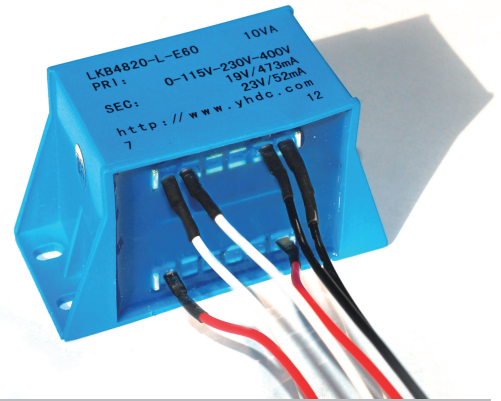
Operation temperature: -30°C ~ +40°C

Work frequency: 50Hz~60Hz

Dielectric strength: 3.75KV 50Hz 1min

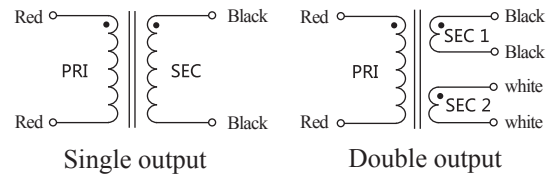
### Technical Parameters table:

Primary voltage	110/220/230	V
Primary voltage range	±10	%
Voltage regulation	≤19	%
Power	12	VA
Temperature rising	≤25	°C
No load loss	≤0.9	W
weight	300	g

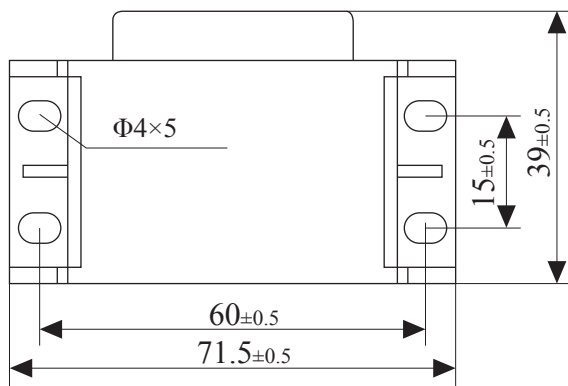


Secondary voltage		Secondary no load voltage		Secondary full load current	
Single	Double	Single	Double	Single	Double
6V	6V×2	7.4V	7.4V×2	2000mA	1000mA×2
7.5V	7.5V×2	9.3V	9.3V×2	1600mA	800mA×2
9V	9V×2	11.1V	11.1V×2	1333mA	666.5mA×2
12V	12V×2	14.8V	14.8V×2	1000mA	500mA×2
15V	15V×2	18.5V	18.5V×2	800mA	400mA×2
18V	18V×2	22.2V	22.2V×2	666.6mA	333.3mA×2
24V	24V×2	29.6V	29.6V×2	500mA	250mA×2

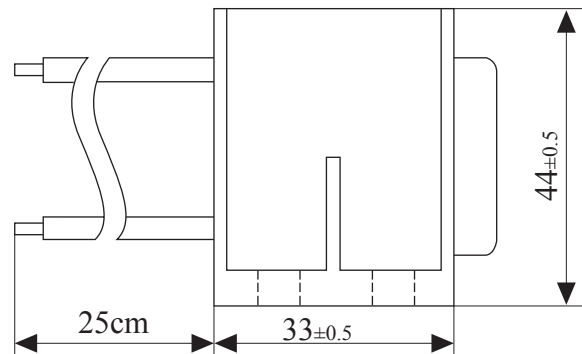
### Schematic Diagram:



### Dimension ( in mm ) :



Top View



Side View