

Model:LKB4117-L

Product picture print for reference only,
subject to the actual product

Characteristics:

1. Vacuum epoxy sealing, 100 °C/6 hours high temperature aging, life span of 20 years, high electrical strength
2. High quality H18 silicon steel sheet, low temperature rise, high efficiency
- 3.PBT engineering plastic, environmental protection, flame retardant, 120 degrees no deformation
4. Reasonable structure, convenient installation, low noise, strong seismic, sealed waterproof, moisture-proof

Technical Index:

Technical Index: Sub-plate mount

Flame resistance : UL94-V0

Insulation class: B

Operation temperature: -30°C ~ +70°C

Work frequency: 50Hz~60Hz

Dielectric strength: Pri./Sec. 3.5KV 50Hz 1min 5mA,Sec/Sec 500V 50Hz 1min 5mA

Electrical parameters: The following parameters are typical values. The actual values shall be subject to the actual measurement of the product

Primary voltage	110/220/230/380	V
Primary voltage range	±10	%
Voltage regulation	≤20	%
Power	5	VA
Temperature rising	≤20	°C
No load loss	≤0.7	W
weight	200	g

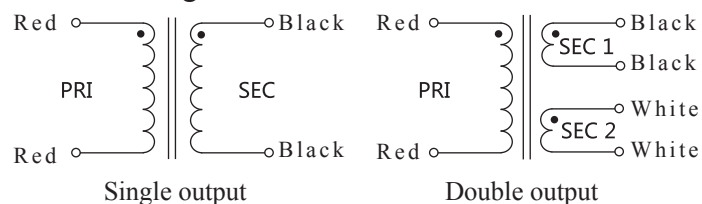


Standard output parameters Table:

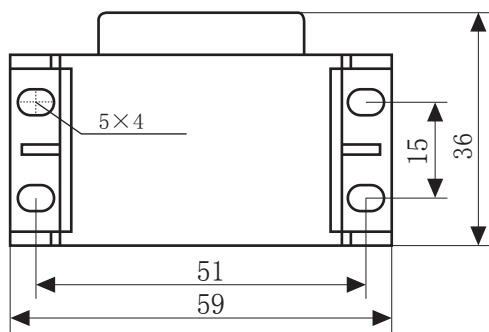
(Delivery is subject to full load voltage)

Secondary voltage		Secondary no load voltage		Secondary full load current	
Single	Double	Single	Double	Single	Double
6V	2×6V	7.1V	2×7.1V	833mA	2×416.5mA
7.5V	2×7.5V	8.9V	2×8.9V	666mA	2×333mA
9V	2×9V	10.7V	2×10.7V	555mA	2×277.5mA
12V	2×12V	14.2V	2×14.2V	416mA	2×208mA
15V	2×15V	17.8V	2×17.8V	333mA	2×166.5mA
18V	2×18V	21.4V	2×21.4V	277mA	2×138.5mA
24V	2×24V	28.5V	2×28.5V	208mA	2×104mA

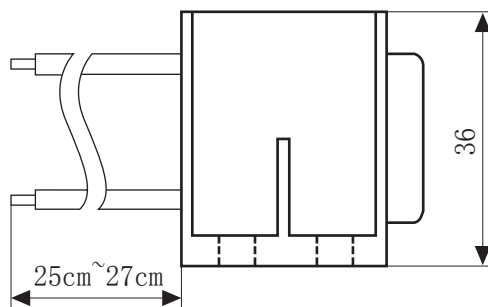
Schematic Diagram:



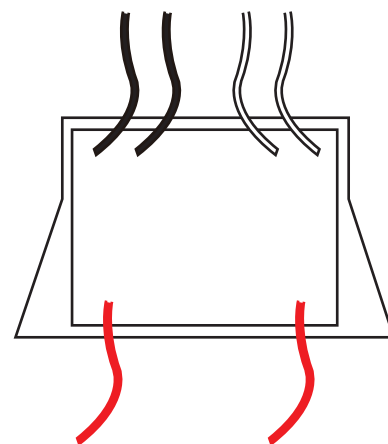
Dimension (in mm) :



Bottom View



Side View



Front View