

Model: LB135-25-50W

Characteristic: suppressing common mode interference signal.

Technical Index:

- Mounting type: PCB
- Fair resistance: with UL94-V0
- Operation temperature: $-20^{\circ}\text{C} \sim +70^{\circ}\text{C}$
- Storage temperature: $-40^{\circ}\text{C} \sim +85^{\circ}\text{C}$
- Work frequency: 50Hz~60Hz
- Dielectric strength: 2.5KV/1min (Coil)



Front view

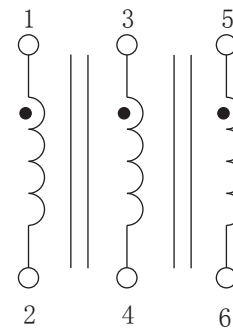


Bottom view

Technical Parameters table:

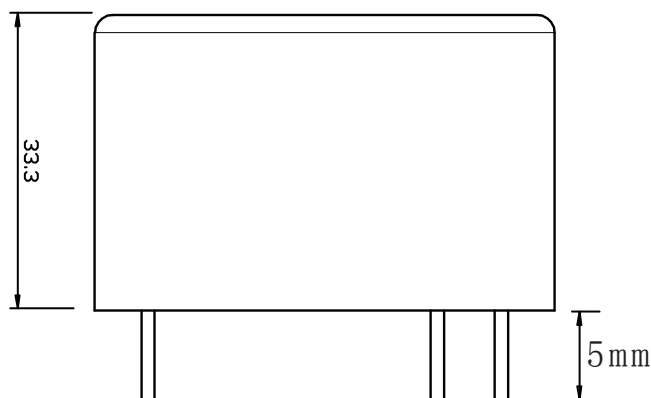
Rated current	25	A
Inductance 100Hz, 0.3V	5	mH
Inductance error	-30~+50	%
Maximum operating voltage	400	V
Weight	160	g

Schematic Diagram:

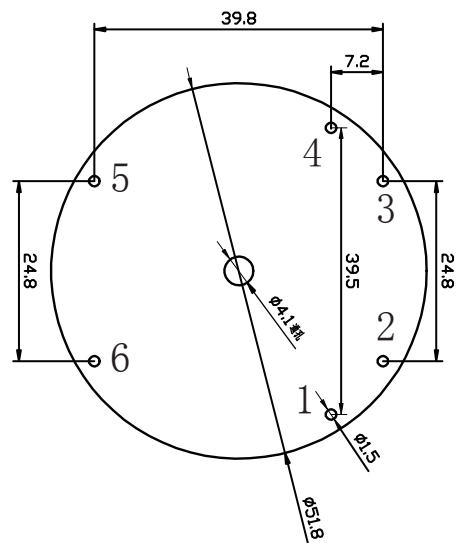


*Customized parameters according to user requirements

Outline size: (in:mm)



Front view



Bottom view