

KSR89 High Isolated Voltage SCR Trigger Transformer



characteristics:

Dielectric strength is over 15000V with special design. Built-in complete trigger circuit, control part and main circuit SCR is completely separated, it is safer and easier maintain. Applicable for triggering big current SCR working in high-voltage circuit over 660V.

Technical indicators:

Flame resistance: UL94-V0
 Insulation resistance: Class B (130°C)
 Operating temperature: -25°C ~ +70°C
 Storage temperature: -40°C ~ +85°C
 Frequency range: 20Hz ~ 1KHz
 Dielectric strength: Pri/Sec 15KV 50Hz 1min

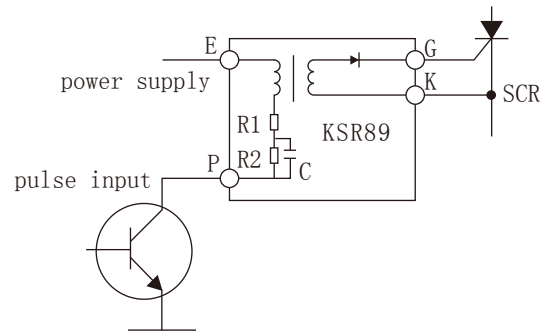
Product picture : (the printed words are for reference only, subject to the actual product)



Electrical parameters: (The following parameters are typical values and actual value will be subject to product testing)

Project	Parameter	Model	KSR89	Unit
	Vout microsecond integral		2400	μvs
	Pulse width		50 ~ 100	μs
	Duty ratio D=1:2		1 : 2	
	Input pulse amplitude		24 ~ 48V	V
	Output pulse amplitude		≥ 4 ~ 8	V
	Turns ratio		3 : 1	
	Leading edge time		≤ 2	μs
	Main circuit operating voltage		≤ 3000	V
	Weight		267	g

Schematic diagram:



Dimensions (in mm±0.5) :

