

High Isolated Voltage SCR Trigger Transformer



Model:KSR89

characteristics:

Dielectric strength is over 15000V with special design.
 Built-in complete trigger circuit,control part and main circuit SCR is completely separated,it is safer and easier maintain.Applicable for triggering big current SCR working in high-voltage circuit over 660V.

Technical indicators:

- Installation method: PCB
- Flame resistance: UL94-V0
- Operating temperature: -20°C~+50°C
- Storage temperature: -40°C~+85°C
- Frequency range: 20Hz~1KHz
- Dielectric strength: 15KV 50Hz 1min

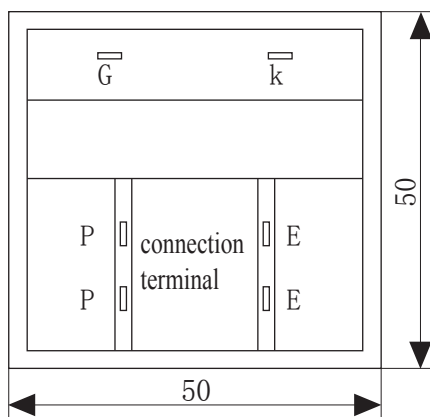
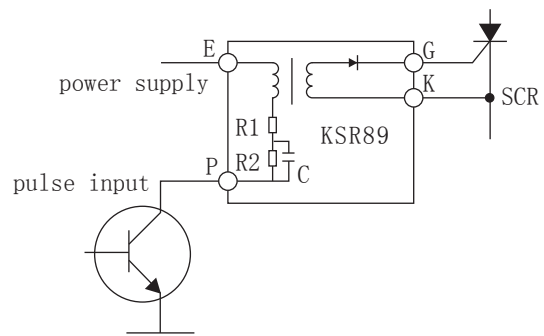


Electrical parameters:

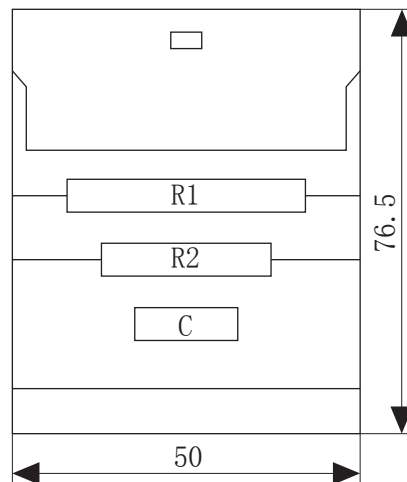
Vout microsecond integral	4800	μvs
Pulse width (D=1:2)	100	μs
Ratio	3 : 1	
Input amplitude	48	V
Output amplitude	> 4	V
Load impedance	13	Ω
Leading edge time	2	μs
Main circuit operating voltage	≤ 3000	V
Weight	250	g

Dimensions (in mm)

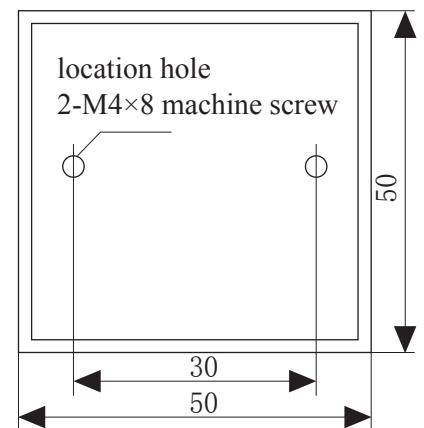
Connection diagram:



Top View



Front View



Bottom View