

High Isolated Voltage SCR Trigger Transformer



Model:KMG89

characteristics:

Inserting disk sub-plate mount,high isolated voltage.It is used in site with main circuit voltage above 660V.

Technical indicators:

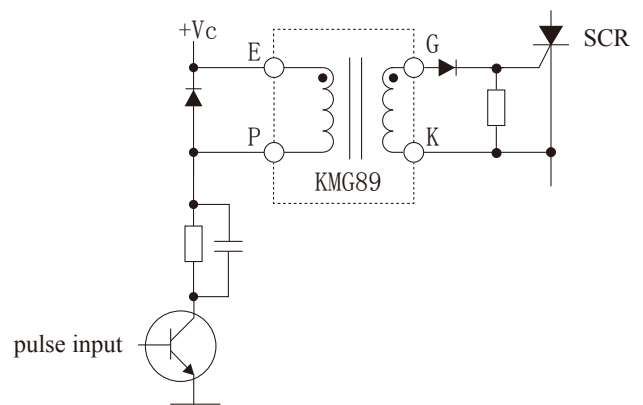
- Installation method: PCB
- Flame resistance: UL94-V0
- Operating temperature: -20°C~+50°C
- Storage temperature: -40°C~+85°C
- Frequency range: 20Hz~1KHz
- Dielectric strength: 15KV 50Hz 1min



Electrical parameters: (The following parameters are typical values and actual values will be subject to product testing)

Project	Parameter	Model	KMG89-301	Unit
	Vout microsecond integral		2400	μvs
	Pulse width		100	μs
	duty ratio		1:2	
	Input pulse amplitude		24	V
	Output pulse amplitude		≥7.8	V
	Turns ratio		3:1	
	Leading edge time		≤1	μs
	Main circuit operating voltage		≤3000	V
	Weight		267	g

Connection diagram:



Dimensions (in mm) :

