

# High Isolated Voltage SCR Trigger Transformer



Model:KMG89

**characteristics:**

Inserting disk sub-plate mount,high isolated voltage.It is used in site with main circuit voltage above 660V.

**Technical indicators:**

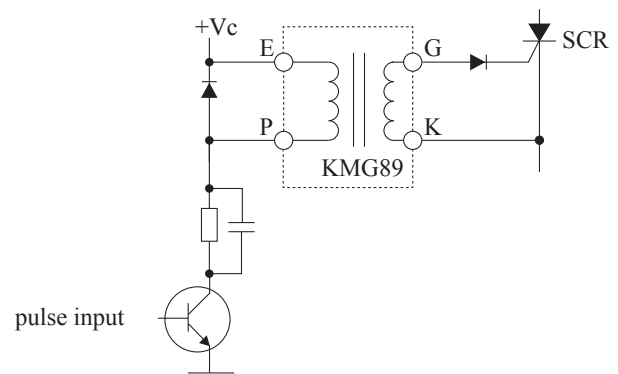
- Installation method: PCB
- Flame resistance: UL94-V0
- Operating temperature: -20°C~+50°C
- Storage temperature: -40°C~+85°C
- Frequency range: 20Hz~1KHz
- Dielectric strength: 15KV 50Hz 1min



**Electrical parameters:**

Vout microsecond integral	≥4000	μvs
Pulse width (D=1:2)	500	μs
Ratio	1:1,2:1,3:1	
Input amplitude	>5	V
Output amplitude	≥5	V
Load impedance	7	Ω
Leading edge time	20	μs
Main circuit operating voltage	2500	V
Weight		g

**Connection diagram:**



**Dimensions (in mm) :**

