

KMG35 High Isolated Voltage SCR Trigger Transformer **YHDC** 1992

Characteristics:

Vacuum epoxy potting, High isolation voltage, used for the main circuit voltage above 660V.

Technical Index:

Installation method: PCB

Flame resistance : UL94-V0

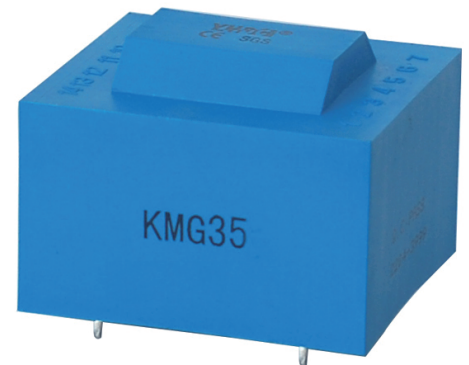
Operation temperature: -20℃ ~+50℃

Storage temperature: -30℃ ~+85℃

Work frequency: 1KHz~20KHz

Dielectric strength: Pri/Sec 20KV 50Hz 1min

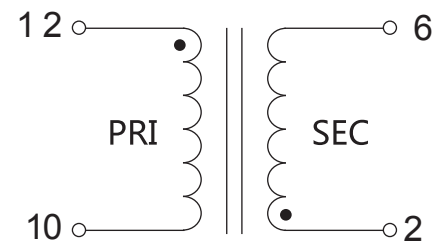
Product picture print for reference only, subject to the actual product



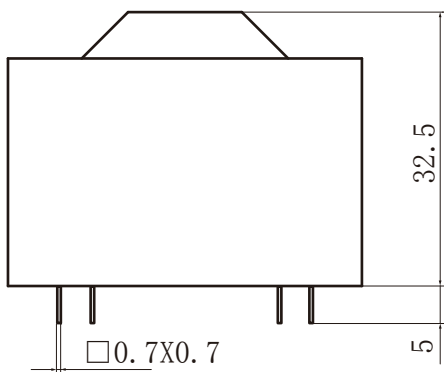
Electrical parameters: (The following parameters are typical values and actual values will be subject to product testing)

Project	Parameter	Model	KMG35-101	KMG35-201	KMG35-301	Unit
	Vout microsecond integral		2000	3750	6000	μVs
	Input pulse amplitude		8	15	24	V
	Output pulse amplitude		≥6	≥6.8	≥7.2	V
	Turns ratio		1:1	2:1	3:1	
	Load resistance		7	7	7	Ω
	duty ratio		1:2	1:2	1:2	
	Pulse width		250	250	250	μs
	Leading edge time		15	15	15	μs
	Main circuit operating voltage		4	4	4	KV
	Weight		122	122	122	g

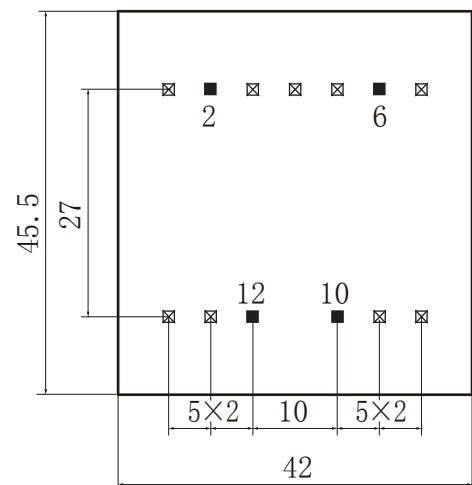
Schematic Diagram :



Dimensions (in mm±0.5) :



Top view



Side view