

# KMG35 High Isolated Voltage SCR Trigger Transformer **YHDC**®

## Characteristics:

Vacuum epoxy potting, High isolation voltage, used for the main circuit voltage of 660V.

## Technical Index:

Installation method: Sub-plate mount

Flame resistance : UL94-V0

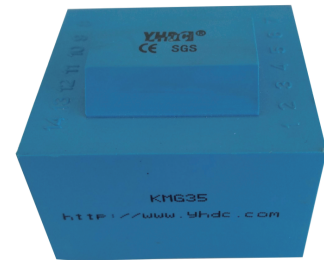
Operation temperature: -20°C ~ +50°C

Storage temperature: -30°C ~ +85°C

Work frequency: 1KHz~20KHz

Dielectric strength: Pri/Sec 20KV 50Hz 1min

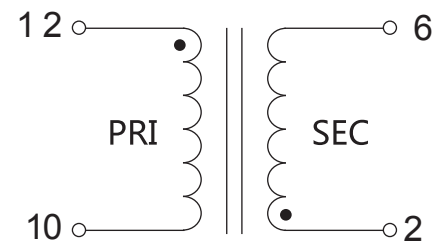
Product picture print for reference only, subject to the actual product



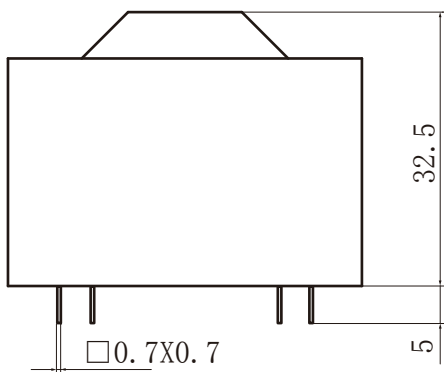
## Electrical parameters: ( The following parameters are typical values and actual values will be subject to product testing )

Project	Parameter	Model	KMG35-101	KMG35-201	KMG35-301	Unit
	Vout microsecond integral		2000	3750	6000	μVs
	Input pulse amplitude		8	15	24	V
	Output pulse amplitude		≥6	≥6.8	≥7.2	V
	Turns ratio		1:1	2:1	3:1	
	Load resistance		7	7	7	Ω
	duty ratio		1:2	1:2	1:2	
	Pulse width		250	250	250	μs
	Leading edge time		15	15	15	μs
	Main circuit operating voltage		4	4	4	KV
	Weight		122	122	122	g

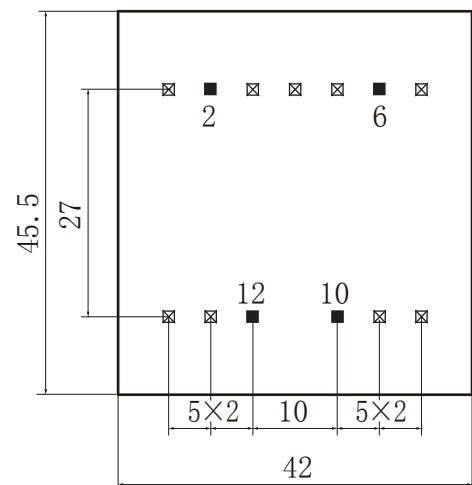
## Schematic Diagram :



## Dimensions (in mm±0.5) :



Top view



Side view