

# High Isolated Voltage SCR Trigger Transformer



## Model:KMG35-101

### characteristics:

Applicable for triggering of pulse string SCR over 4000A.

### Technical indicators:

Installation method: PCB

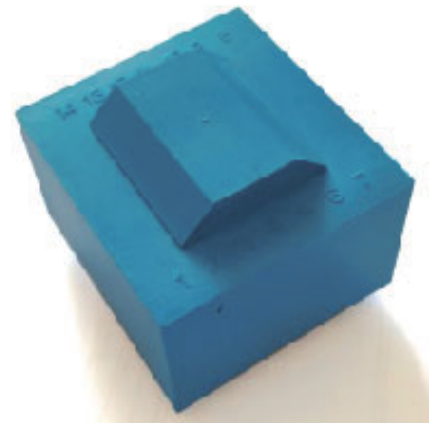
Flame resistance: UL94-V0

Operating temperature: -20°C~+50°C

Storage temperature: -40°C~+85°C

Frequency range: 1KHz~10KHz

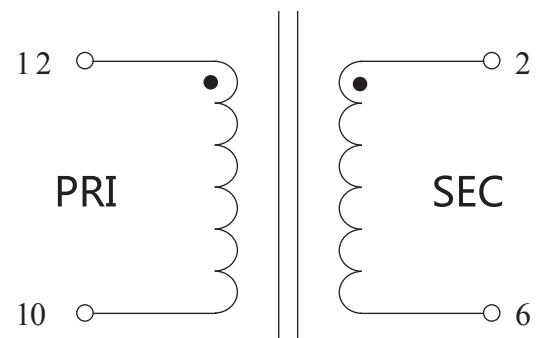
Dielectric strength: 20KV 50Hz 1min



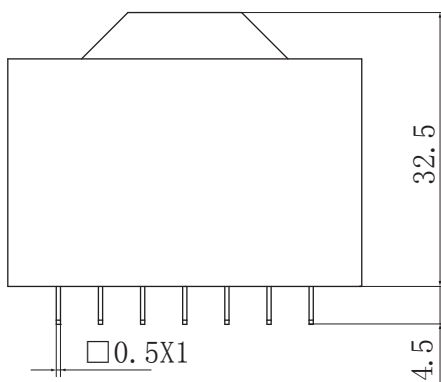
### Electrical parameters:

Vout microsecond integral	2000	μvs
Pulse width (D=1:2)	250	μs
Ratio	1:1	
Input amplitude	8	V
Output amplitude	≥6	V
Load impedance	7	Ω
Leading edge time	≤15	μs
Main circuit operating voltage	3K	V
Weight		g
leakage sense	10-20	uH

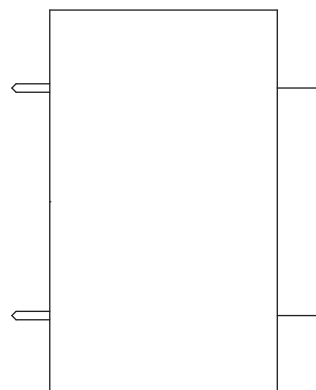
### Connection diagram:



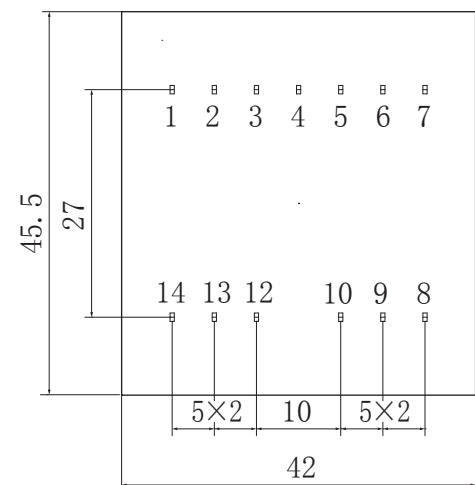
### Dimensions (in mm) :



Front View



Side View



Bottom View