

KMG308 High Isolated Voltage SCR Trigger Transformer

Characteristics:

Vacuum epoxy encapsulated, high isolation voltage, used for the main circuit voltage above 660V.

Technical index:

Installation method: PCB

Flame resistance : UL94-V0

Operation temperature: -20℃ ~ +50℃

Storage temperature: -30℃ ~ +85℃

Work frequency: 1KHz~10KHz

Dielectric strength: Pri/Sec 15KV 50Hz 1min

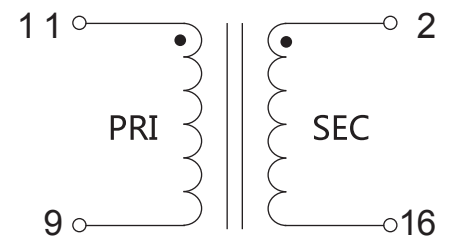
Product picture print for reference only, subject to the actual product



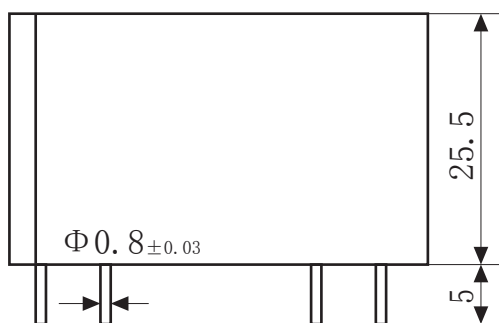
Electrical parameters: (The following parameters are typical values and actual values will be subject to product testing)

Item	Parameter	Model	KMG308-101	KMG308-201	KMG308-301	Unit
	Vout microsecond integral		800	1600	2400	μVs
	Input pulse amplitude		8	16	24	V
	Output pulse amplitude		≥6.6	≥6.5	≥6.3	V
	Turns ratio		1:1	2:1	3:1	
	Load resistance		7	7	7	Ω
	Duty ratio		1:2	1:2	1:2	
	Pulse width		100	100	100	μs
	Leading edge time		3	3	3	μs
	Main circuit operating voltage		3	3	3	KV
	Weight		85	85	85	g

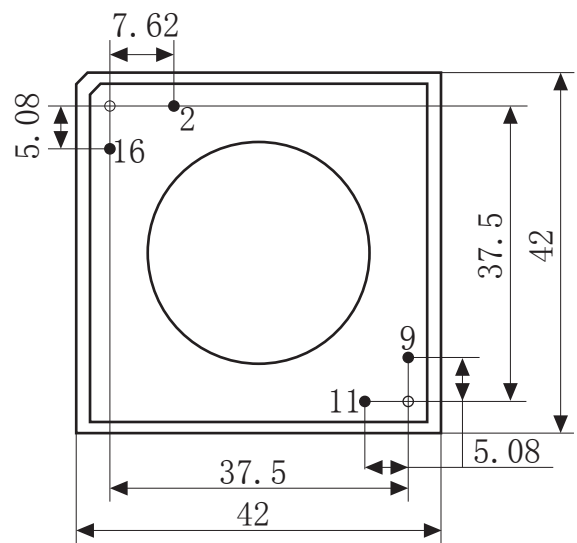
Schematic diagram:



Dimensions (in mm±0.5) :



Front view



Bottom view