

# KMG209 High Isolated Voltage SCR Trigger Transformer **YHDC** 1992

## Characteristics:

Vacuum epoxy potting, High isolation voltage, used for the main circuit voltage above 660V.

## Technical Index:

Installation method: PCB

Flame resistance : UL94-V0

Operation temperature: -20℃ ~ +50℃

Storage temperature: -30℃ ~ +85℃

Work frequency: 1KHz~6KHz

Dielectric strength: Pri/Sec 10KV 50Hz 1min

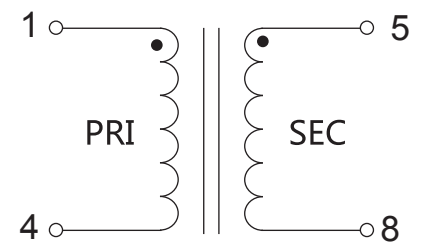
Product picture print for reference only, subject to the actual product



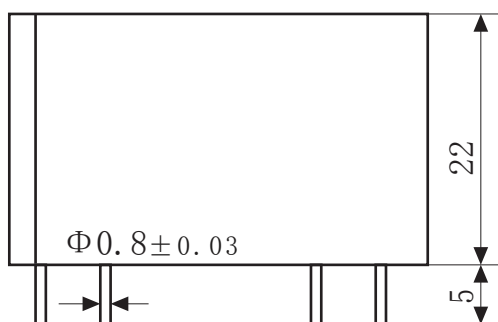
**Electrical parameters:** ( The following parameters are typical values and actual values will be subject to product testing )

Project	Parameter	Model	KMG209-101	KMG209-201	KMG209-301	Unit
	Vout microsecond integral		1600	3000	4800	μVs
	Input pulse amplitude		8	15	24	V
	Output pulse amplitude		≥3.3	≥3	≥4.1	V
	Turns ratio		1:1	2:1	3:1	
	Load resistance		7	7	7	Ω
	duty ratio		1:2	1:2	1:2	
	Pulse width		200	200	200	μs
	Leading edge time		10	10	10	μs
	Main circuit operating voltage		2	2	2	KV
	Weight		41	41	41	g

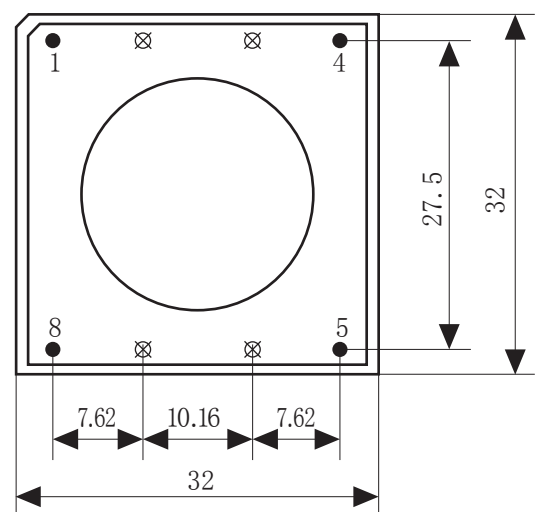
Schematic Diagram :



Dimensions (in mm±0.5) :



Front view



Bottom view