

KMG208 High Isolated Voltage SCR Trigger Transformer

Characteristics:

Vacuum epoxy potting, High isolation voltage, used for the main circuit voltage above 660V.

Technical Index:

- Installation method: PCB
- Flame resistance : UL94-V0
- Operation temperature: -20℃ ~+50℃
- Storage temperature: -30℃ ~+85℃
- Work frequency: 20Hz~1KHz
- Dielectric strength: Pri/Sec 15KV 50Hz 1min

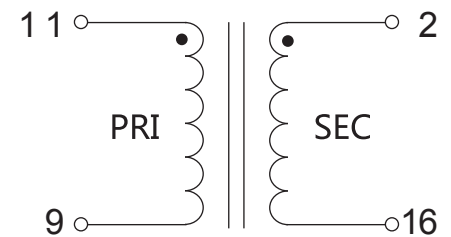
Product picture print for reference only, subject to the actual product



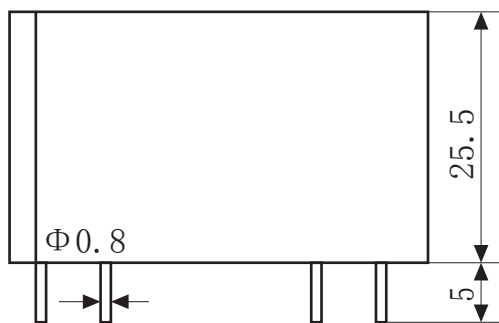
Electrical parameters: (The following parameters are typical values and actual values will be subject to product testing)

Project	Parameter	Model	KMG208-101	KMG208-201	KMG208-301	Unit
	Vout microsecond integral		4000	8000	9600	μVs
	Input pulse amplitude		8	16	24	V
	Output pulse amplitude		≥5	≥5.5	≥6.2	V
	Turns ratio		1:1	2:1	3:1	
	Load resistance		7	7	7	Ω
	duty ratio		1:2	1:2	1:2	
	Pulse width		500	500	400	μs
	Leading edge time		20	20	20	μs
	Main circuit operating voltage		3	3	3	KV
	Weight		400	400	400	g

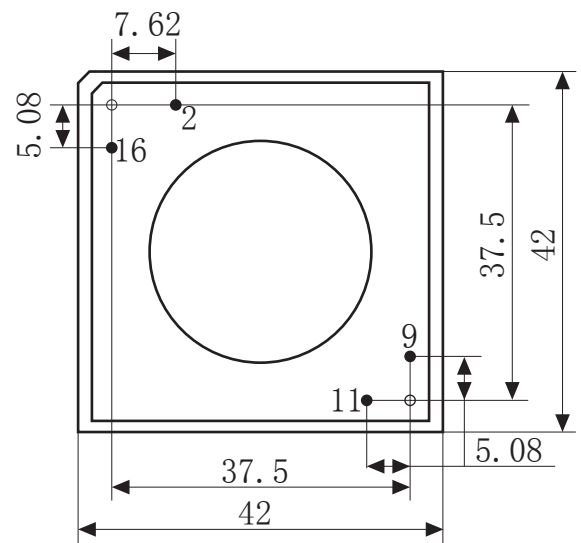
Schematic Diagram :



Dimensions (in mm±0.5) :



Front view



Bottom view