

High Isolated Voltage SCR Trigger Transformer



Model:KMG208-201

characteristics:

High electrical strength,It applies to SCR or IGBT of rated current above 1000A.Main circuit maximum operating voltage is 2000V,KMG208 is amorphous core.Applicable for triggering of SCR over 1000A.

Technical indicators:

- Installation method: PCB
- Flame resistance: UL94-V0
- Operating temperature: $-20^{\circ}\text{C} \sim +50^{\circ}\text{C}$
- Storage temperature: $-40^{\circ}\text{C} \sim +85^{\circ}\text{C}$
- Frequency range: 20Hz~1KHz
- Dielectric strength: 15KV 50Hz 1min

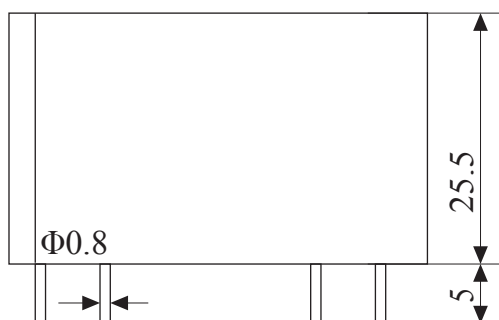
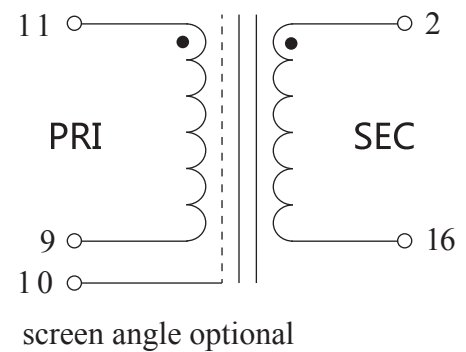


Electrical parameters:

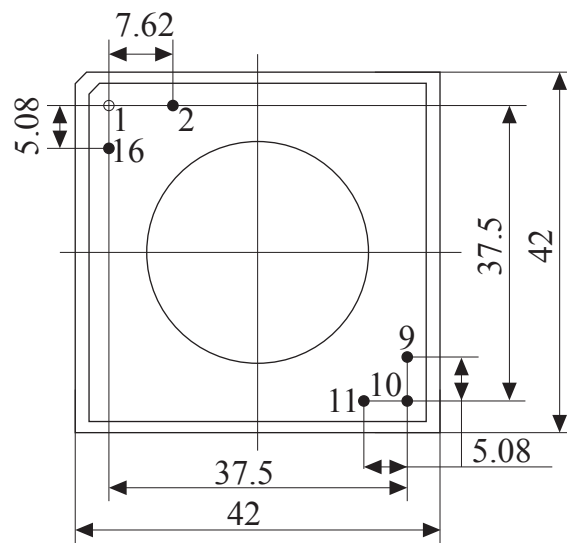
Vout microsecond integral	8000	μVs
Pulse width (D=1:2)	500	μs
Ratio	2 : 1	
Input amplitude	16	V
Output amplitude	≥ 5	V
Load impedance	7	Ω
Leading edge time	20	μs
Main circuit operating voltage	2000	V
Weight	89	g

Dimensions (in mm) :

Connection diagram:



Front View



Bottom View