

# KMG191 High Isolated Voltage SCR Trigger Transformer

## Characteristics:

Vacuum epoxy potting, High isolation voltage, used for the main circuit voltage above 660V.

## Technical Index:

- Installation method: PCB
- Flame resistance : UL94-V0
- Operation temperature: -20 C ~+50 C
- Storage temperature: -30 C ~+85 C
- Work frequency: 50Hz~1000Hz
- Dielectric strength: Pri/Sec 10KV 50Hz 1min

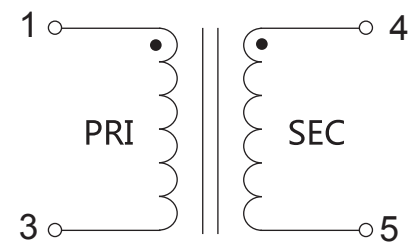
Product picture print for reference only, subject to the actual product



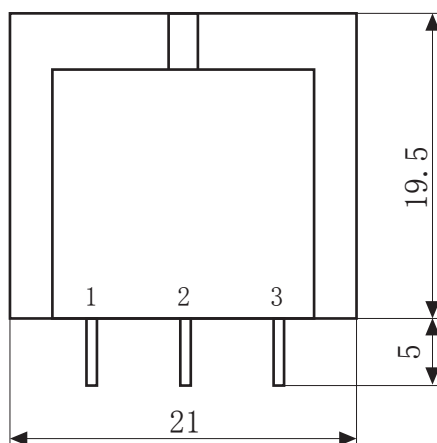
**Electrical parameters:** ( The following parameters are typical values and actual values will be subject to product testing )

Project	Parameter	Model	KMG191-101	KMG191-201	KMG191-301	Unit
	Vout microsecond integral		4000	7500	12000	μVs
	Input pulse amplitude		8	15	24	V
	Output pulse amplitude		≥6	≥7.2	≥7.5	V
	Turns ratio		1:1	2:1	3:1	
	Load resistance		100	100	100	Ω
	duty ratio		1:2	1:2	1:2	
	Pulse width		500	500	500	μs
	Leading edge time		10	10	10	μs
	Main circuit operating voltage		2	2	2	KV
	Weight		16	16	16	g

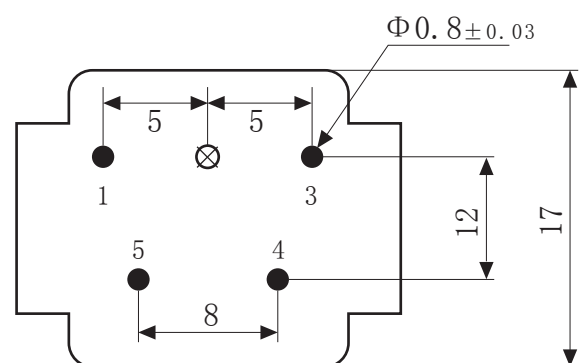
Schematic Diagram :



Dimensions (in mm±0.5) :



Front view



Bottom view