

# KMB518



## Characteristics:

Suitable for 4000A SCR pulse train trigger.

## Technical Index:

Installation method: PCB

Flame resistance : UL94-V0

Operation temperature: -20℃ ~ +50℃

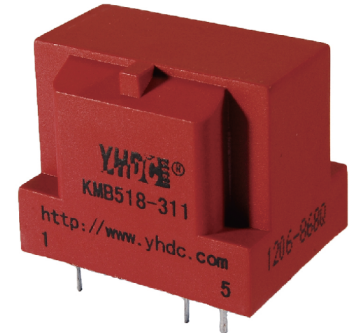
Storage temperature: -30℃ ~ +85℃

Work frequency: 1KHz ~ 50KHz

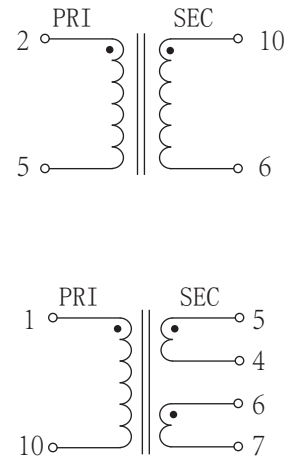
Dielectric strength: Pri/Sec 5KV 50Hz 1min

Sec/Sec 500V 50Hz 1min

Product picture print for reference only,  
subject to the actual product



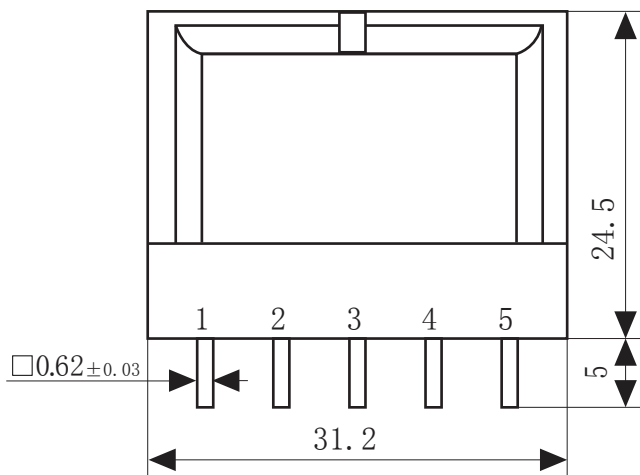
## Schematic Diagram:



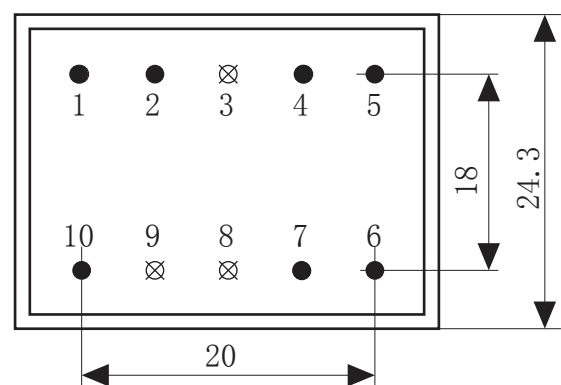
## Electrical parameters: ( The following parameters are typical values and actual values will be subject to product testing )

Project	Parameter	Model	KMB518-101	KMB518-201	KMB518-301	KMB518-111	KMB518-211	KMB518-311	Unit
	Vout microsecond integral		1200	2250	3600	1200	2250	3600	μvs
	Input pulse amplitude		8	15	24	8	15	24	V
	Output pulse amplitude		≥5.1	≥5.8	≥6.9	≥6×2	≥6×2	≥6.2×2	V
	Turns ratio		1:1	2:1	3:1	1:1:1	2:1:1	3:1:1	
	Load resistance		7	7	7	7	7	7	Ω
	duty ratio		1:2	1:2	1:2	1:2	1:2	1:2	
	Pulse width		150	150	150	150	150	150	μs
	Leading edge time		≤5	≤5	≤5	≤5	≤5	≤5	μs
	Main circuit operating voltage		660	660	660	660	660	660	KV
	Weight		43	43	43	43	43	43	g

## Dimensions (in mm±0.5) :



Top view



Bottom View