

# Universal SCR Trigger Transformer



Model:KMB418-311

characteristics:

Applicable for triggering of pulse train SCR below 2000A

Technical indicators:

Installation method: PCB

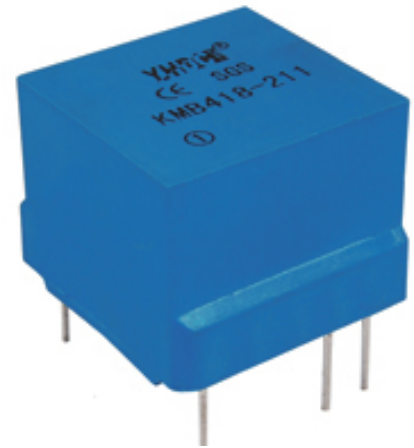
Flame resistance: UL94-V0

Operating temperature:  $-20^{\circ}\text{C} \sim +50^{\circ}\text{C}$

Storage temperature:  $-40^{\circ}\text{C} \sim +85^{\circ}\text{C}$

Frequency range: 1KHz $\sim$ 50KHz

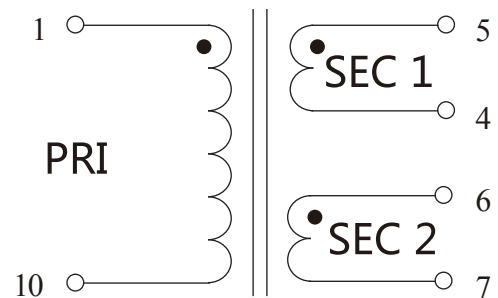
Dielectric strength: 5KV 50Hz 1min



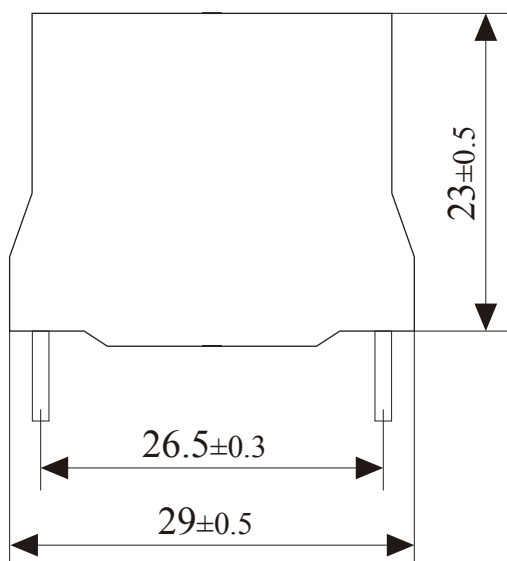
Electrical parameters:

Vout microsecond integral	3600	$\mu\text{vs}$
Pulse width (D=1:2)	150	$\mu\text{s}$
Ratio	3:1:1	
Input amplitude	24	V
Output amplitude	$\geq 5.8$	V
Load impedance	7	$\Omega$
Leading edge time	$\leq 6$	$\mu\text{s}$
Main circuit operating voltage	660	V
Weight	47	g

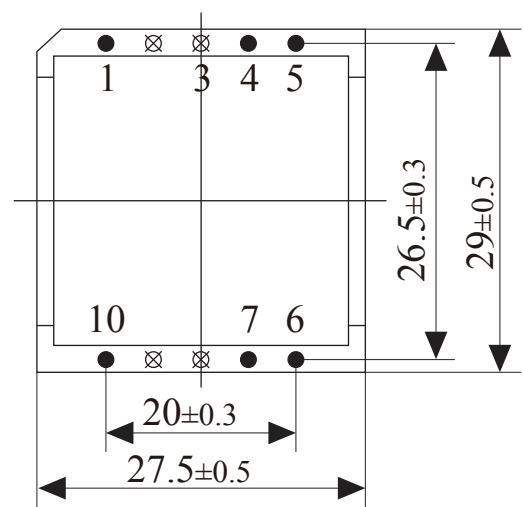
Connection diagram:



Dimensions (in mm) :



Front View



Bottom View