

Universal SCR Trigger Transformer



Model:KMB418-114

characteristics:

Applicable for triggering of pulse train SCR below 2000A

Technical indicators:

Installation method: PCB

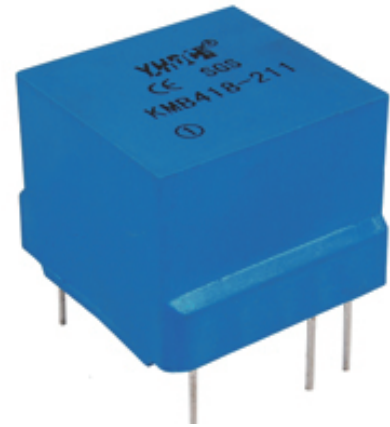
Flame resistance: UL94-V0

Operating temperature: $-20^{\circ}\text{C} \sim +50^{\circ}\text{C}$

Storage temperature: $-40^{\circ}\text{C} \sim +85^{\circ}\text{C}$

Frequency range: 1KHz \sim 50KHz

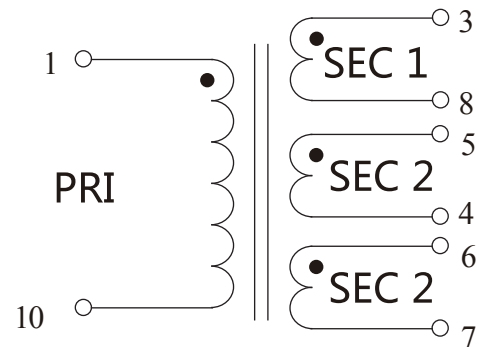
Dielectric strength: 5KV 50Hz 1min



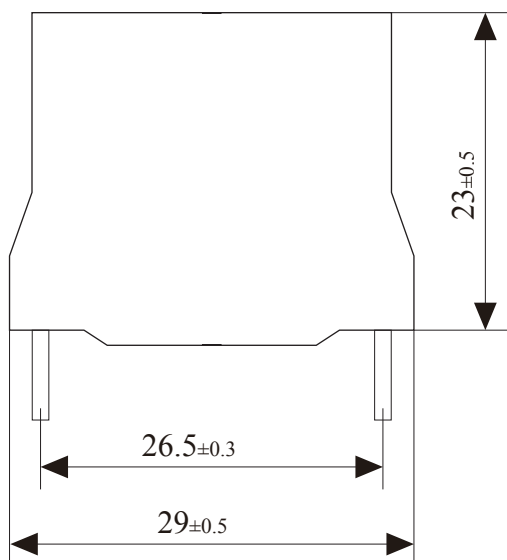
Electrical parameters:

Vout microsecond integral	1200	μVs
Pulse width (D=1:2)	150	μs
Ratio	1:1:1:1	
Input amplitude	8	V
Output amplitude	≥ 5	V
Load impedance	7	Ω
Leading edge time	≤ 6	μs
Main circuit operating voltage	400	V
Weight	47	g

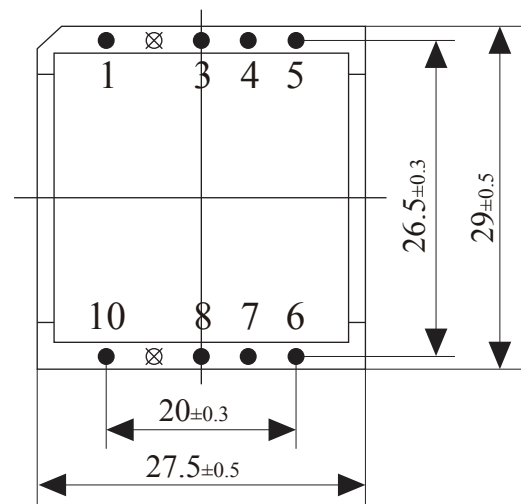
Connection diagram:



Dimensions (in mm) :



Front View



Bottom View