

Universal SCR Trigger Transformer



Model:KMB418-101S

characteristics:

Applicable for triggering of pulse train SCR below 2000A

Technical indicators:

Installation method: PCB

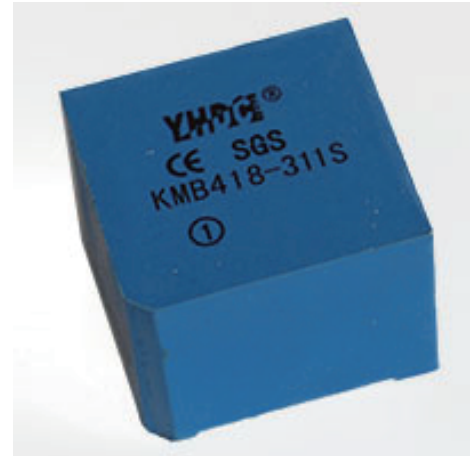
Flame resistance: UL94-V0

Operating temperature: -20°C~+50°C

Storage temperature: -40°C~+85°C

Frequency range: 1KHz~50KHz

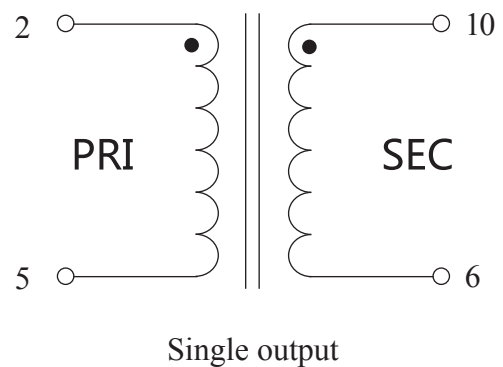
Dielectric strength: 5KV 50Hz 1min



Electrical parameters:

Vout microsecond integral	1200	μvs
Pulse width (D=1:2)	150	μs
Ratio	1:1	
Input amplitude	8	V
Output amplitude	≥6	V
Load impedance	7	Ω
Leading edge time	≤6	μs
Main circuit operating voltage	660	V
Weight	48	g

Connection diagram:



Dimensions (in mm) :

