

# Universal SCR Trigger Transformer



Model:KMB239

**characteristics:**

It uses toroidal core to replace foreign similar products.It is used to drive SCR,IGBT and signal isolation transmission.

**Technical indicators:**

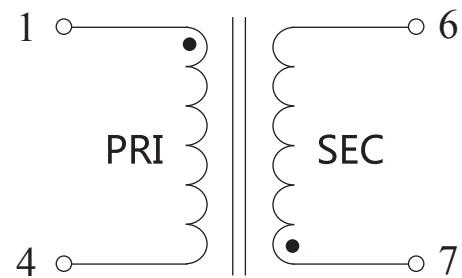
- Installation method : PCB
- Flame resistance: UL94-V0
- Operating temperature: -20°C ~ +50°C
- Storage temperature: -40°C ~ +85°C
- Frequency range: 10KHz ~ 200KHz
- Dielectric strength: 2.5KV 50Hz 1min



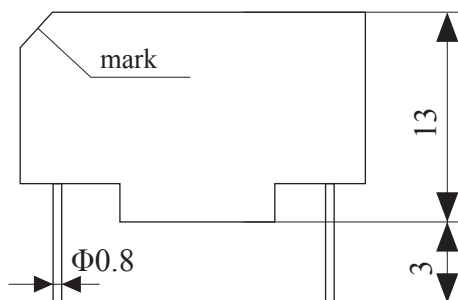
**Electrical parameters:**

Project	Parameter	Model	KMB239	Unit
	Vout microsecond integral		400	μvs
	Input pulse amplitude		8	V
	Output pulse amplitude		≥6.5	V
	Turns ratio		1:1	
	Load resistance		100	Ω
	duty ratio		1:2	
	Pulse width		50	μs
	Leading edge time		≤4	μs
	Main circuit operating voltage		380	V
	Weight		13.7	g

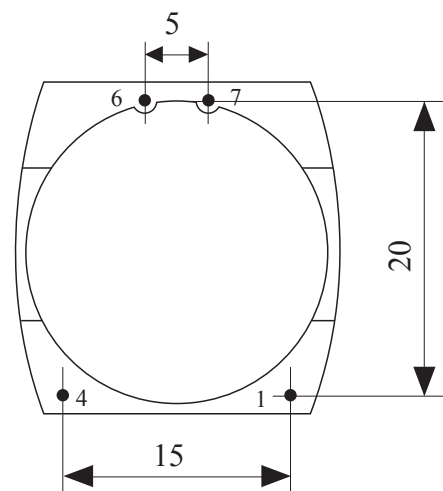
**Connection diagram:**



Dimensions (in mm) :



Front View



Bottom View