

# Universal SCR Trigger Transformer



Model:KMB229-211

characteristics:

It uses EI high quality magnetic core,overcoming shortcoming of toroidal core.The first pulse current amplitude is greater than 1A. applicable for SCR below 500A.

Technical indicators:

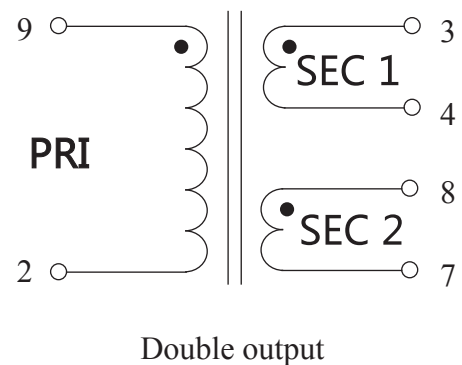
- Installation method: PCB
- Flame resistance: UL94-V0
- Operating temperature:  $-20^{\circ}\text{C} \sim +50^{\circ}\text{C}$
- Storage temperature:  $-40^{\circ}\text{C} \sim +85^{\circ}\text{C}$
- Frequency range: 1KHz $\sim$ 10KHz
- Dielectric strength: 5KV 50Hz 1min



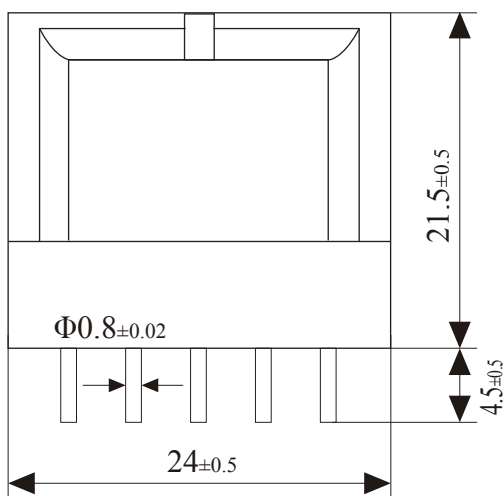
Electrical parameters:

Vout microsecond integral	1600	$\mu\text{Vs}$
Pulse width (D=1:2)	100	$\mu\text{s}$
Ratio	2:1:1	
Input amplitude	15	V
Output amplitude	$\geq 5$	V
Load impedance	7	$\Omega$
Leading edge time	$\leq 5$	$\mu\text{s}$
Main circuit operating voltage	660	V
Weight		g

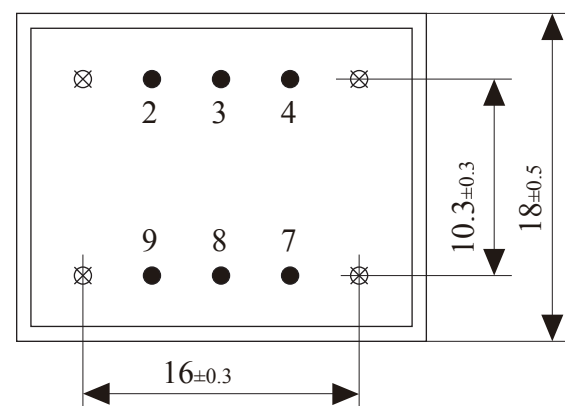
Connection diagram:



Dimensions (in mm) :



Front View



Bottom View