

# KBE6023



## Characteristics:

1. Vacuum epoxy potting, 100°C/6 h high temperature aging, Twenty years of life, High electrical strength
2. High quality H18 silicon steel sheet, Low temperature, High efficiency
3. PBT engineering plastic, environmental protection, flame retardant, 120 degrees without deformation
4. Reasonable structure, Easy installation, Low noise, Strong earthquake sealed waterproof, moistureproof

## Technical Index:

- Technical Index: Din-rail Mounting
- Flame resistance : UL94-V0
- Insulation class: B
- Operation temperature: -30°C ~ +40°C
- Work frequency: 50Hz ~ 60Hz
- Dielectric strength: Pri/Sec 3.5KV 50Hz 1min 5mA  
Sec 500V 50Hz 1min 5mA

Electrical parameters: The following parameters are typical values. The actual values shall be subject to the actual measurement of the product

Primary voltage	110V	220V	230V	380V	Unit
Primary voltage range	± 10				%
Power	30				VA
Voltage regulation	≤ 17				%
Temperature rising	≤ 35				°C
No load loss	≤ 2.5				W
weight	350				g

Product picture print for reference only, subject to the actual product

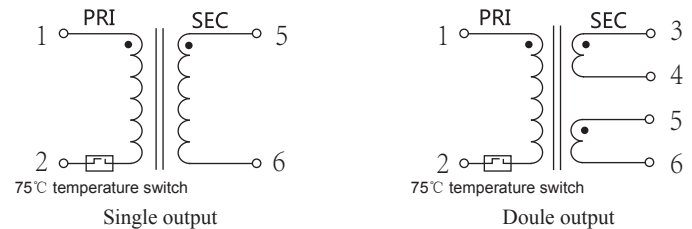


## Standard output parameters Table:

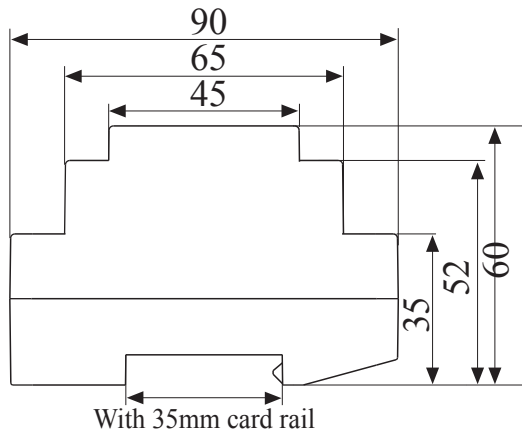
(Delivery is subject to full load voltage)

Secondary output voltage		Secondary No-load Voltage		Secondary full load current	
Single	Double	Single	Double	Single	Double
6V	2×6V	7.2V	2×7.2V	5000mA	2×2500mA
7.5V	2×7.5V	8.7V	2×8.7V	4000mA	2×2000mA
9V	2×9V	10.4V	2×10.4V	3334mA	2×1667mA
12V	2×12V	14.2V	2×14.2V	2500mA	2×1250mA
15V	2×15V	17.3V	2×17.3V	2000mA	2×1000mA
18V	2×18V	21.6V	2×21.6V	1667mA	2×834mA
24V	2×24V	27V	2×27V	1250mA	2×625mA

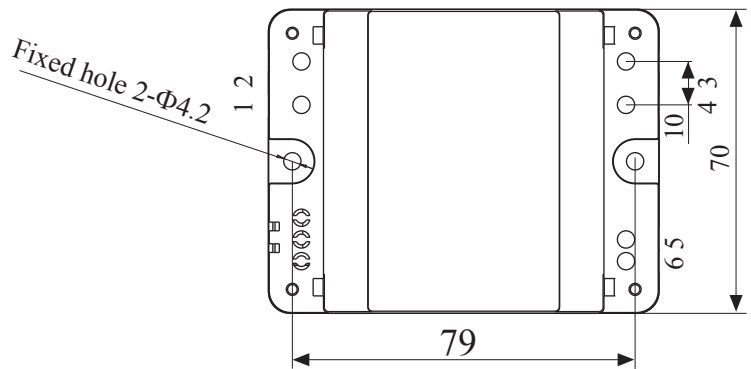
## Schematic Diagram:



## Dimensions (in mm±0.5)



Front view



Top view