

# Monitoring relay

Model: JDS

**Characteristics:**

Alarm signal is output by relay touching points Sub-plate mounting/din rail mounting Overvoltage, undervoltage, unbalanced three parameters will be monitored at the same time. For three-phase 380V/415V 50/60Hz power supply overvoltage, undervoltage, Unbalanced alarm.



**Safety Index:**

Fire resistance: UL94-V0

Dielectric strength: Primary/secondaries/power > 2.5KV AC/1min

**Operating Environment:**

Environment temperature: -25°C ~ +55°C

Altitude: ≤ 1000m

Humidity: 85%

**Technical parameters:**

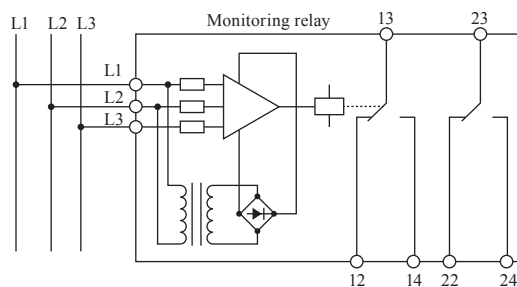
Monitor range: undervoltage alarm data: 70%-90% of rated voltage adjustable (setting by potentiometer on the panel),  
Overvoltage alarm data: 110% of rated voltage (unadjustable)

Relay touching point: 250V 4A 2 convert

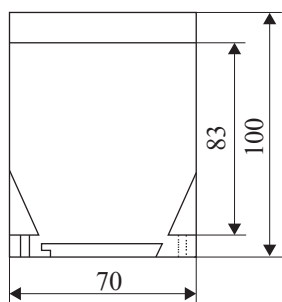
Power consumption: 2VA

Reponse time: 0.5s-5s 0.5S-5S adjustable (setting by potentiometer on the panel)

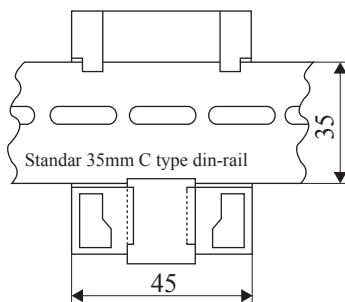
**Connection diagram:**



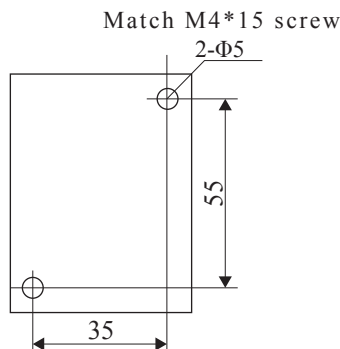
**Dimensions (in mm):**



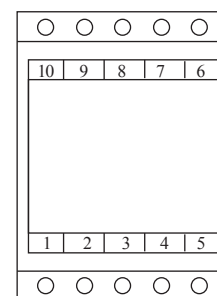
Front view



Din-rail installation size view (Bottom view)



Panel installation size view (Match M4\*12 screw)



Top view