

Monitoring relay

Model: JDL

Characteristics:

Alarm signal output by relay touching point is completely isolated from detection circuit, especially for high accuracy measured requirement and, small error repeated occasions, sub-plate/din-rail mounting type For current monitor and overcurrent protection on AC/DC circuits (with zero current transformer can measure Leakage current)

Safety Index:

Fire resistance: UL94-V0
Dielectric strength: $\geq 2.5\text{KV AC/1min}$

Operating Environment:

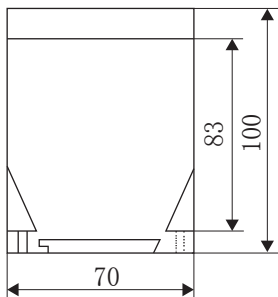
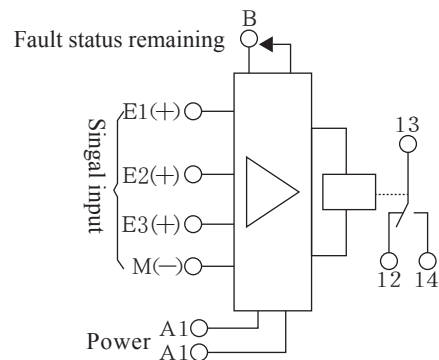
Environment temperature: $-25^{\circ}\text{C} \sim +55^{\circ}\text{C}$
Altitude: $\leq 1000\text{m}$
Humidity: 85%

Technical parameters:

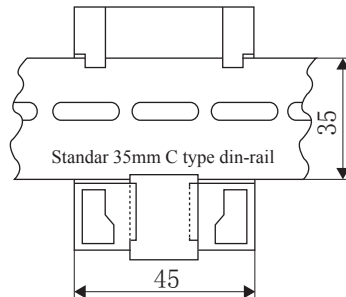
Monitor range: 3 Gears by terminal, 10-100mA;
50mA-1A; 0.5-10A, the median will be set by the potentiometer on the panel
Monitor accuracy: Superior 5%
Hysteresis range: 5%-50% can be adjustable by the adjustable potentiometer on the panel
Working voltage: 220V AC (or 24V DC)
Power consumption: $< 2\text{VA}$
Relay touching point: 250V 4A 1 convert
Response time: $< 300\text{ms}$
Working temperature: $-25^{\circ}\text{C} \sim +50^{\circ}\text{C}$



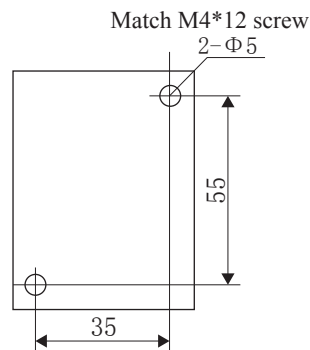
Connection diagram:



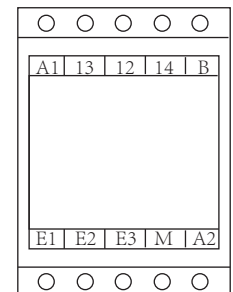
Front view



Din-rail installation size view
(Bottom view)



Panel installation size view
(Match M4*12 screw)



Top view