

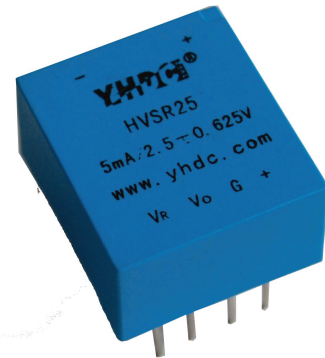
Hall voltage sensor

Model: HVSR25-3

vacuum epoxy encapsulated: hall closed loop voltage sensor.

Technical Index:

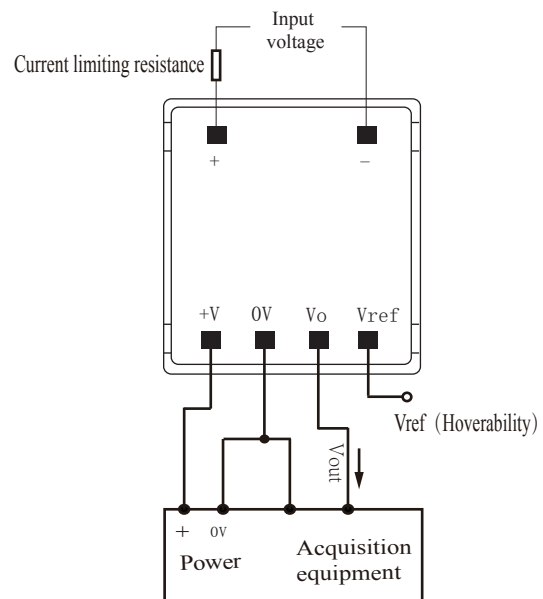
- Flame resistance: UL94-V0
- Working temperature: $-10 \sim +70^{\circ}\text{C}$
- Storage temperature: $-25 \sim +70^{\circ}\text{C}$
- Dielectric strength: 2.5KV 50Hz 1min



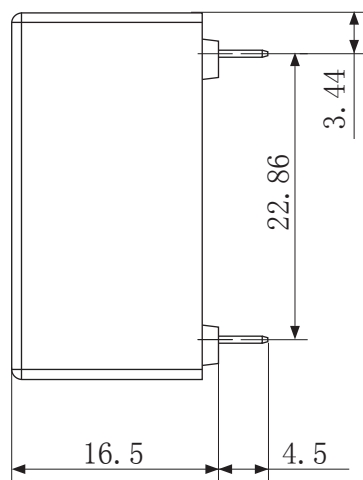
Electrical parameters:

I_{PN}	Rated input	± 5	mA
I_{PM}	Input measured range	± 7	mA
V_{OUT}	Rated output	1.65 ± 0.625	V
X	Accuracy	1	%
ϵ_L	Linearity	0.2	%
V_C	Supply voltage($\pm 5\%$)	+5	V
I_C	Current consumption	≤ 20	mA+I _s
R_L	Load impedance	$\geq 10\text{K}\Omega$	Ω
I_{OE}	Zero offset TA=25°C	$\leq \pm 15$	mV
T_R	Response time	40	μs
N.W	Weight		g

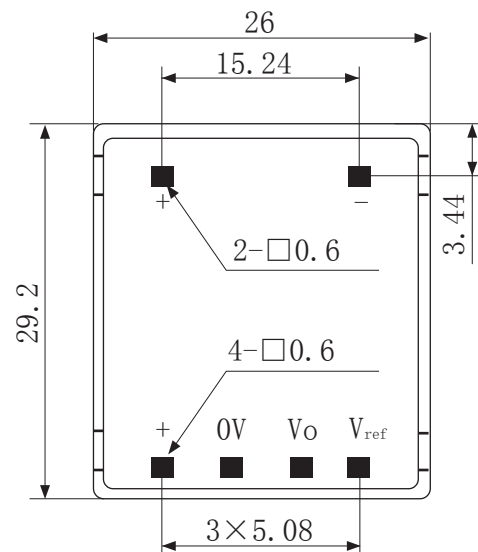
Connection diagram:



Dimensions (in mm) :



Side view



Bottom view