

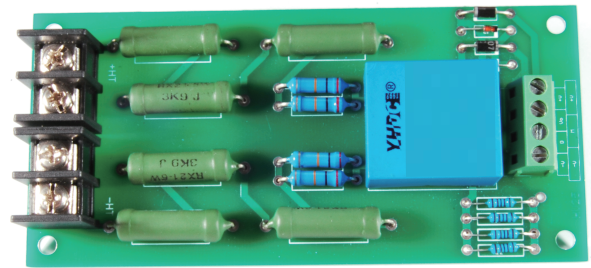
Hall voltage sensor

Model: HV25-□□□

HV25 sensor and peripheral electronic components constitute sensor plate, Terminal directly input detect voltage, output signal 5V . Detect DC, AC and pulse voltage.

Technical Index:

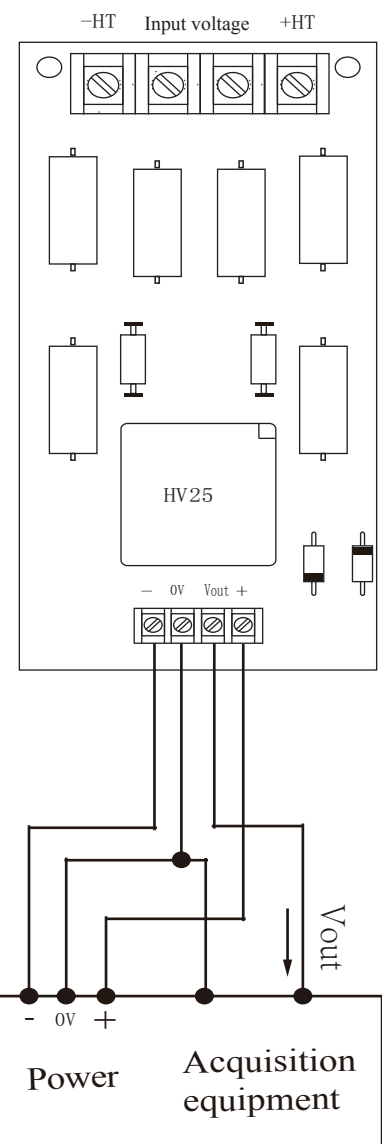
- Flame resistance: UL94-V0
- Working temperature: -10~+70°C
- Storage temperature: -25~+70°C
- Dielectric strength: 2.5KV 50Hz 1min



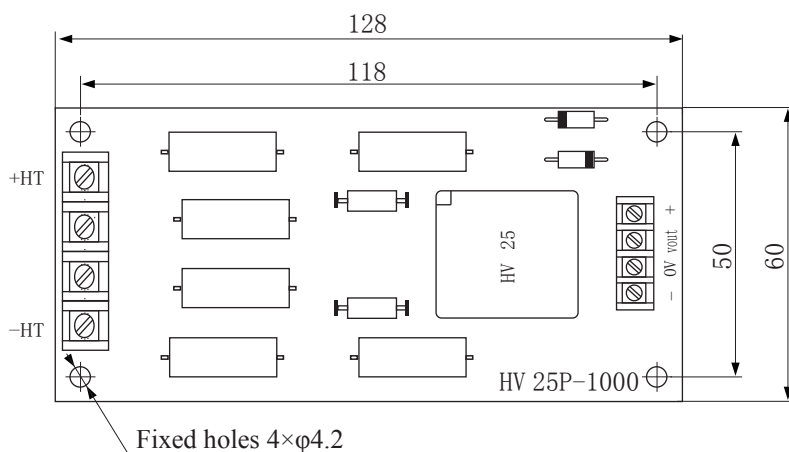
Electrical parameters:

V_P	Rated input	± 200	± 500	± 800	± 1000	V
V_{PM}	Input measured range	± 240	± 800	± 1120	± 1400	V
V_{OUT}	Rated output	± 5				V
X	Accuracy	1				%
ϵ_L	Linearity	0.2				%
V_C	Supply voltage($\pm 5\%$)	$\pm 12 / \pm 15$				V
I_C	Current consumption	$\leq \pm 12$				mA+Is
R_L	Load impedance	$\geq 10K$				Ω
V_{OE}	Zero offset TA=25 C	$\leq \pm 30$				mV
T_R	Response time	40~200				μs
N.W	Weight					g

Connection diagram:



Dimensions (in mm) :



Hall voltage sensor plate view (content is only hint)