

# Hall closed loop variable range current sensor



## Model: HTSR6-3

Closed loop, basbar built-in, PCB welding type;  
Change the connection mode of a bus variable three range.

### Technical Index:

Flame resistance: UL94-V0

Working temperature:  $-25 \sim +70^{\circ}\text{C}$

Storage temperature:  $-25 \sim +70^{\circ}\text{C}$

Band width: DC $\sim$ 150kHz

Dielectric strength: 3KV 50Hz 1min

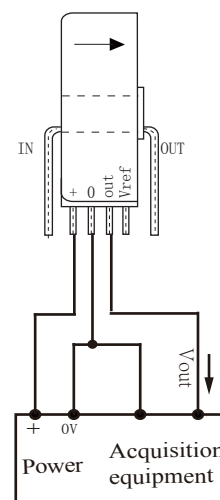


### Electrical parameters:

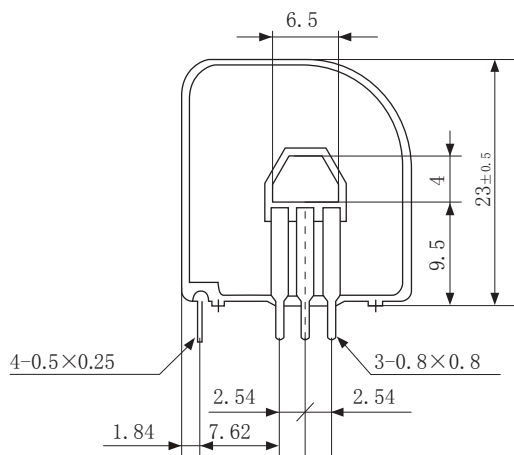
$I_{PN}$	Rated input	$\pm 6$	A
$I_{PM}$	Input measured range	$\pm 9$	A
$V_{OUT}$	Rated output	$1.65 \pm 0.625$	V
X	Accuracy	1	%
$\epsilon_L$	Linearity	0.1	%
$V_C$	Supply voltage( $\pm 5\%$ )	+3.3	V
$I_C$	Current consumption	$\leq 20$	mA + I <sub>s</sub>
$R_L$	Load impedance	$\geq 10K$	$\Omega$
$V_{OE}$	Zero offset TA=25 C	$\leq \pm 15$	mV
$T_R$	Response time	$\leq 0.5$	$\mu\text{s}$
N.W	Weight	9	g

Primary turns	Rated input (A)	Rated output (V)	connection way of primary pins
1	$\pm 6$	$1.65 \pm 0.625$	
2	$\pm 3$	$1.65 \pm 0.625$	
3	$\pm 2$	$1.65 \pm 0.625$	

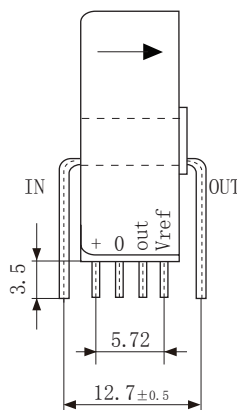
### Connection diagram:



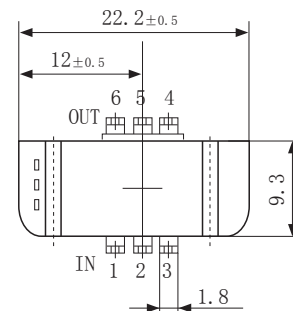
### Dimensions ( in mm ) :



Front view



Side view



Bottom view